



**KAI SAI**

**product catalog**  
product price list

---

**2020 / 2021**



**WE  
CARE  
ABOUT  
AIR**

<b>About Kaisai brand</b>	<b>4</b>
<b>Learn about Kaisai technology: User guide</b>	<b>7</b>
Air conditioning selection	8
Heat pumps – benefits	12
Air curtains – useful information	14
Environmental protection	16
Featured functions	19
Effective filters	24
Modern technologies	26
Wi-Fi control	28
<b>Description of functionalities</b>	<b>30</b>
<b>Kaisai product range</b>	<b>34</b>
<b>Product series</b>	<b>36</b>
<b>Wall air conditioners</b>	<b>38</b>
Wall air conditioners Fly	40
Wall air conditioners One	44
Wall air conditioners Pro+	48
<b>Multi Split systems</b>	<b>52</b>
<b>Commercial air conditioners</b>	<b>58</b>
Floor standing air conditioners	60
Floor/ceiling air conditioners	64
Compact cassette air conditioners	68
Super Slim cassette air conditioners	72
Slim duct air conditioners	76
Condensing units	80
<b>Portable air conditioners</b>	<b>84</b>
Portable air conditioners kpph	87
Portable air conditioners kpc	88
Portable air conditioners kppd	89
<b>Air curtains</b>	<b>90</b>
Air curtains Silver	92
Air curtains Gold	94
Air curtains Platinum New	96
<b>Heat pumps</b>	<b>98</b>
Heat pumps split R32 (kha)	100
Heat pumps monoblok R32 (khc)	102
Heat pumps split R410A (keh)	104
<b>Wired and wireless controllers</b>	<b>108</b>
<b>Unit dimensions</b>	<b>110</b>
<b>Pallet arrangement – logistics data</b>	<b>119</b>
<b>Product price list</b>	<b>120</b>
<b>Contact data</b>	<b>123</b>

# KAISAI

User-friendly air conditioning



Kaisai units are **high quality, environmental-friendly products**, designed with the operation comfort in mind. Moreover, we offer them at reasonable prices.

32  
countries

over  
1000  
points of sale

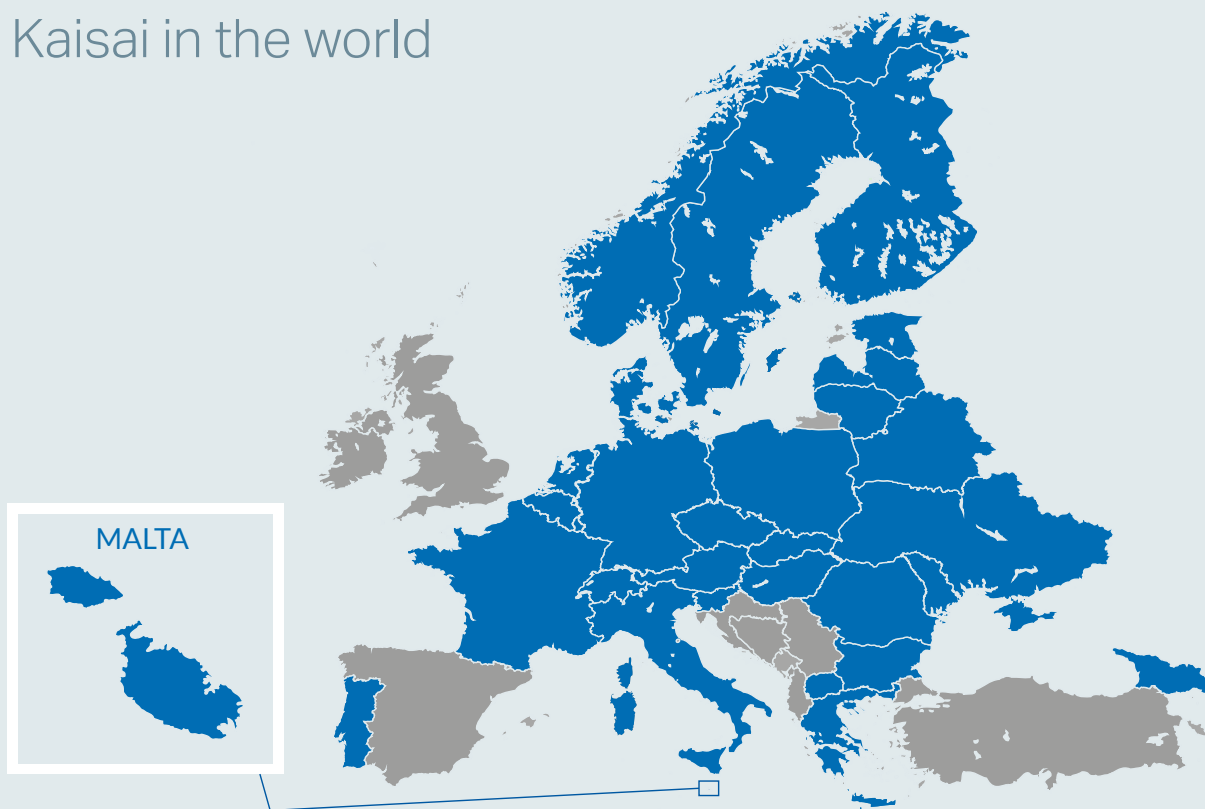
over  
180  
thousands  
of installed units

52  
product  
types

The Kaisai brand debuted on the Polish market in 2011 and since then, year after year, it has been recording growing sales figures in Poland as well as on foreign markets. The latest technological solutions make Kaisai devices leaders in their class and meet high expectations in terms of ecology, safety, energy efficiency, quiet opera-

tion, comfort of use and manufacturer's warranty. Through many years of investment in technology, the Kaisai units have been recognized as some of the most innovative air-conditioning solutions, successfully implemented in public facilities and residential buildings.

## Kaisai in the world



**Within the business platform of Kaisai International Corporation, following the principle of *Think globally - work locally*, the Kaisai brand is present in the following countries:**

Austria, Belarus, Belgium, Bulgaria, Czech Republic, Denmark, Estonia, Finland, France, Germany, Greece, Hungary, Georgia, Iceland, Italy, Latvia, Lithuania, Luxembourg, North Macedonia, Malta, Moldova, Netherlands, Norway, Poland, Portugal, Romania, Slovakia, Slovenia, Spain, Sweden, Switzerland, Ukraine.

# WE CARE ABOUT AIR

---

The motto "We Care about Air" derives from passion and understanding of human needs and is a declaration of responsibility for people and the environment. Our focus is on the quality and comfort of air – in the office, at home and in all rooms where people are present. Our values: respect for the environment, partnership with the Client, responsibility for the Employee, taking care of the business environment.

---



## Kaisai participates in the programs of Klima-Therm Group Academy

The basic scope of the Academy's activities includes:

**Product-related and technical trainings**

**Authorization trainings – KEH heat pumps**

**Sales trainings**

**Testing Kaisai products**

The Academy of the Klima-Therm Group is an innovative educational and research project, which main objective is to constantly boost the knowledge of the industry environment regarding current trends in the field of air conditioning and ventilation as well as the latest technological, design-related and product solutions. Thanks to the Academy's activity, customers can be sure of the professional knowledge of installers: it is a guarantee of safety and trouble-free operation of our equipment.

Kaisai is committed to ensure the highest quality of its products and installations. The Kaisai Authorized Service Partners, as members of the Klima-Therm Group, benefit from the training opportunities offered by the Academy. Trained installers not only receive theoretical knowledge, but can also acquire practical skills under the supervision of qualified trainers. The Academy has 3 training centers serving customers from all over Poland: in Gdansk, Warsaw and Katowice.

Kaisai products meet stringent safety, health and environmental requirements and have been awarded several labels and certifications. The refrigerants used are certified by the National Institute of Public Health.

**CE**

**ISO**  
9001:2000

**A++**  
(EU)626/2011

**A+**  
(EU)626/2011

**ATEST**  
**PZH**

# Discover Kaisai **technology**

## User guide

8

### Air conditioning selection

- Air conditioning in the house
- Operating costs
- Air conditioning is about ensuring comfort and health
- Choice of air conditioner
- Relevance of the energy efficiency class

12

### Heat pump – benefits

- Low operating costs
- User comfort
- Safe use
- Green energy source
- Comfort all year round
- Reducing CO2 emissions

14

### Air curtains

- Description of operation
- Benefits of air curtains

16

### Environmental protection

- GWP – what is it?
- ODP – what is it?
- 20/20/20 program
- Refrigerants
- Energy efficiency class

19

### The most interesting features of Kaisai units



**More information about air conditioning, heating and ventilation can be found in the guide at our website:**

**kaisai.com**

The guide prepared by us will introduce you to the world of air conditioning and will enable selection of units meeting the specific user's needs. Please contact our consultants who will quickly and reliably answer your questions about Kaisai products.

# Selection of air conditioning system





## Air conditioning **in house application**

From March to September, the days are longer and the temperatures are higher. Especially in the period from June to August there are periods of several weeks of heat, which can cause discomfort while staying indoors. We recommend to consider it in advance, ensuring the ideal, comfortable air temperature regardless of the season and day.

Air conditioning was previously associated mainly with office premises and public buildings. Currently, it is within the financial reach of individual users. In addition, thanks to the heating function available in state-of-the-art units, air conditioners can also serve as an additional source of heat in colder periods. Air conditioning is an efficient and economical alternative to fans and electric heaters - it consumes up to 4 times less electricity.



### **Operating costs**

Domestic air conditioning is fundamentally different in terms of power consumption from more demanding industrial air conditioning. A device with a capacity of 2.6 kW consumes less than 1 kW of electricity per hour of operation, which costs about 0.10 EUR.\*

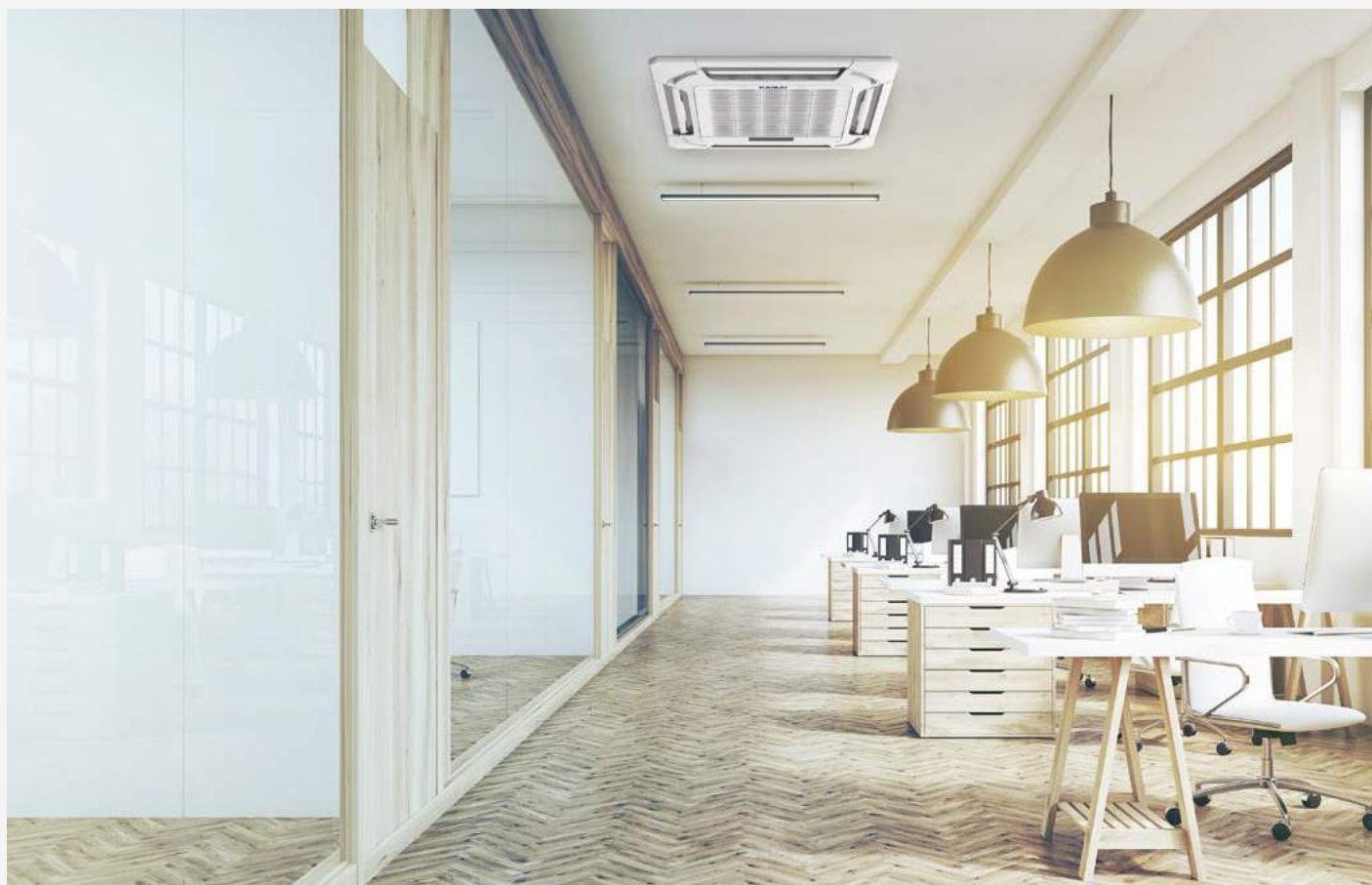
There are a number of general recommendations and indicators to help users determine the required power level. The most important parameter is the cubic capacity of the air-conditioned room. It is assumed that a cooling capacity requirement of 40 W/m<sup>3</sup>, or 120 W per m<sup>2</sup> of surface area, can be estimated for standard rooms of approximately 3 m in height. This means that even the smallest 2.6 kW air conditioner can be sufficient for a room of 21 m<sup>2</sup>.

\*Cost estimated for Warsaw (Poland) 2019.

## HINTS **AIR CONDITIONING**

Air conditioning is about ensuring comfort and health

Home air conditioning is the comfort available for everyone. It allows you to freely control the temperature in your home, apartment, office or small retailer – replacing or complementing the central heating system. However, the advantages of an air-conditioning system do not stop there. Implementation of air-conditioning unit turns out to be an excellent way to take care of the health of all users. Modern air conditioners eliminate bacteria and fungi from the air, preventing diseases caused by them, and special filters improve the overall air quality. Air conditioning is also a good solution for maintaining adequate air parameters, when the outdoor air is heavily polluted, e.g. by smog.



### Relevance **of energy efficiency class**

The more energy-efficient the device is, the higher its energy class is. When buying an air conditioner, it is worth paying attention to the fact that the energy class of the air conditioner should be at least at the A level. When the air conditioner is in operation, remember to close the windows in the air conditioned room, thus contributing to savings in energy bills. Do not set too low temperature in a room with the remote control, as this may result in increased operating costs.



## **Selection of air conditioner**

Each split air conditioner consists of two components: an outdoor unit and an indoor unit. The first one is installed outside the building, the second one – inside the room.

The principle of the air conditioner operation is based on the physical properties of the refrigerant, which in the case of Kaisai appliances is an ecological refrigerant – R32. Depending on the operating mode of the air conditioner, the refrigerant condenses or evaporates in the indoor unit, releasing heat to or extracting it from the environment accordingly. This way, the air in the room is heated or cooled, and thanks to the system of filters, the air is also purified.

The unit does not blow additional air from the outside, but only cools the air inside. It protects the health of the residents, especially when the air is polluted by the smog.

# Heat pump – benefits

Heat pumps, by using the energy stored in the air, are able to heat your house and provide the domestic hot water. Operation of heat pump is made possible by a refrigerant that circulates in a closed circuit and transfers the heat from the environment into the building.

### **Low** operating costs

Heat pumps make a substantial contribution to a significant reduction of the house operating costs. The costs of room heating and domestic hot water (DHW) can be reduced up to four-fold by means of the heat pump. By using the pump, we also reduce the maintenance costs of the system, among other things because there is no need for the chimney inspection.

### **Resident** comfort

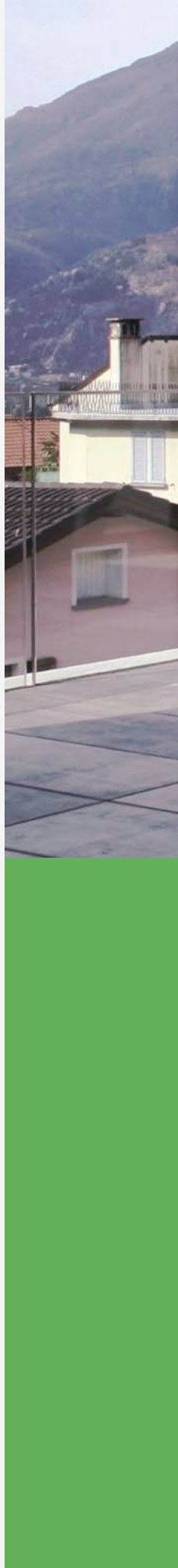
Heat pumps are the ideal solution because they provide comfort of operation thanks to the automation features. Convenient indoor temperature and desired domestic water parameters are set up using an intuitive controller. The user does not have to worry about turning on/off the heating system - the unit automatically maintains thermal comfort all year round.

### **Safe** operation

Heat pumps are a very safe solution as they do not pose a fire hazard or a risk of gas escaping or exploding when compared to traditional domestic heating appliances. You do need to worry about gas sensors and you can sleep peacefully.

### **Green** energy source

Heat pumps are one of the ecological sources of energy, because instead of coal, gas or oil they make use of the air potential, using refrigerants that have a much smaller impact on the environment than non-renewable energy sources. The electricity supply also allows the use of home photovoltaics in the so-called "passive house system" (i.e. the system does not consume energy from outside).





An incredible advantage of air-to-water heat pumps is the fact that even 75-80% of the heat going to the heating system is free heat, obtained from the outdoor air. The remaining 20-25% is electric energy needed mainly for compressor and heating system circulation pumps.

### Comfort **all year round**

The heat pump transfers the heat from the air to the water, heating up the water. The cold air coming out of the pump can be used to cool rooms, e.g. storerooms or technical facilities.

### **Reducing CO<sub>2</sub> emissions**

Heat pumps are an ideal alternative to gas and coal boilers, helping to reduce CO<sub>2</sub> emissions to the atmosphere. The units operate at the time indicated by the user and do not produce smoke, ash or any other harmful substances.

# Air curtains – useful information



## Description of operation

Air curtains are mounted above the entrance door. They create a strong stream of cold or warm air directed downwards, which prevents the inflow of air from outside the building and also creates an air barrier against dust, smoke and insects.



## Benefits of air curtains

Air curtains are small but functional devices, which allow you to save energy by maintaining a constant temperature and avoiding unpleasant draughts inside a premise.

Their application makes air conditioning more effective and definitely cheaper to use both in cooling mode (does not allow for mixing with air from outside) and heating mode (prevents the flow of heat out of the room).

Air curtains are especially recommended for service premises and retail outlets – they reduce air conditioning bills in summer and heating bills in winter.

# Environmental protection

## GWP – what is it?

Greenhouse potential (GWP – Global Warming Potential) is a figure expressing the global warming potential of a refrigerant if released into the atmosphere. This is a relative value that compares the effect of 1 kg of refrigerant with the effect of 1 kg CO<sub>2</sub> per 100 years.

## ODP – what is it?

Ozone Depletion Potential is an indicator of the harmfulness of chemical substances for the ozone layer. It is a value comparing the influence of a given refrigerant with the analogous mass of R11 refrigerant. The ODP value of R11 refrigerant is defined as 1, the modern refrigerant – R32 – has the potential defined as 0.



# R32

Environmentally friendly refrigerant R32, available in the entire Kaisai product range

**Kaisai currently applies the latest environmentally friendly refrigerant – R32 – in its products. It is more efficient than refrigerants applied before, so that the air-conditioning system requires less refrigerant volume and has significantly better environmental impact factors. It is a modern solution that takes into account both ecological needs and the economy of application.**

## Main characteristics of R32 refrigerant

### **ECOLOGICAL**

R32 has the lowest GWP coefficient available on the market, equal to 675, and does not cause damage to the ozone layer, thanks to the ODP coefficient equal to 0. Compared to older solutions, it has as much as 75% less impact on global warming. What is more, it can also be recycled.

### **ECONOMICAL**

Compared to R410A, R32 has a higher energy efficiency, so the air conditioning system requires less energy and the efficiency of the equipment increases by up to 10%.

### **SAFE**

The R32 has low toxicity and low flammability – it does not pose a threat to life and health even in the event of leaks in the installation.



# 20/20/20 program

Kaisai follows the assumptions of the energy and climate change package, which assumes an increase in the consumption of energy from renewable sources and an increase in energy efficiency by 20% and a reduction in CO<sub>2</sub> emissions by 20% by 2020. Directive 2009/125/EC adopted by the European Union concerns the rules for setting requirements for Energy-related Products (ErP). From 1 January 2013, the provisions of the Directive apply to air conditioners with a cooling capacity of less than 12 kW.

## 20%

**Reducing CO<sub>2</sub>  
greenhouse gases**

.....

## 20%

**Reducing primary  
energy consumption**

.....

## 20%

**Increasing the share  
of renewable energy  
sources**



# R290

Safe and environmentally friendly refrigerant available in portable air conditioners

**The refrigerant – R290 – is known as propane, a colorless, odorless organic compound belonging to the group of saturated hydrocarbons existing in natural gas fields.**

Devices based on propane have been successfully operating in various countries of the European Union for many years. The propane popularity is steadily increasing due to its low environmental impact while maintaining very good thermodynamic properties. The R290 factor has a zero ODP, which means no negative impact on the ozone layer, and an exceptionally low GWP, which indicates the global warming potential. Propane is a combustible gas and has a flammability limit of 2.1% by volume in the air. This means that with 230g of R290 in Kaisai appliances and special fireproofing, it is also safe for use in confined spaces.

**R290 has a low sensitivity to moisture and does not cause corrosion, so it can operate in refrigeration systems equipped with both hermetic and semi-hermetic compressor units.**



## Energy **efficiency class**

Energy labels shall be affixed to any electrical household appliance sold in the European Union. This is regulated by the special EU Directive 2010/30/EU. Labels inform the user about the quality of the product, taking into account its energy efficiency. The label ensures that everyone before the purchase decision can find out which unit will be the cheapest to operate. The energy efficiency rating, also referred to as the energy class, is indicated by the letters: for air conditioners, a scale from G (lowest) to A+++ (highest) has been determined.

We also use energy efficiency coefficients to assess energy savings: SEER for cooling and SCOP for heating. These factors determine the ratio of the cooling/heating power achieved by the air conditioner to the electrical power drawn by the unit from the mains during an entire season. Units with SEER=6 and SCOP=4 (class A++) from 1 kW of electricity on average per season can generate 6 kW of cooling energy or 4 kW of heat energy and can be up to 4 times cheaper in operation than fans and electric heaters.

---

10-grade energy efficiency scale (from A+++ to G)

---

Power efficiency for cooling and heating

---

Efficiency determination based on calculations of multiple features, corresponding to the actual power consumption of the machine during operation

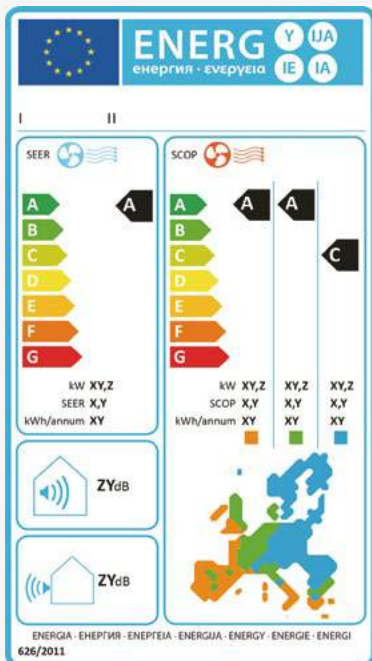
---

Sound power level

---

Data for 3 seasons (moderate – required, hot and cold – optional)

---



CURRENT ENERGY LABEL

Valid from 1 January 2013. Air conditioners up to 12 kW

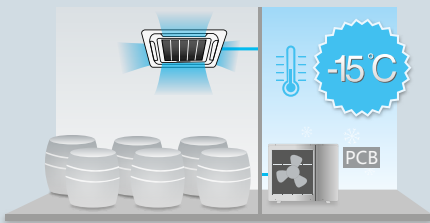
	<b>SEER (cooling)</b>	<b>SCOP (heating)</b>
<b>A+++</b>	SEER ≥ 8.50	SCOP ≥ 5.10
<b>A++</b>	6.10 ≤ SEER < 8.50	4.60 ≤ SCOP < 5.10
<b>A+</b>	5.60 ≤ SEER < 6.10	4.00 ≤ SCOP < 4.60
<b>A</b>	5.10 ≤ SEER < 5.60	3.40 ≤ SCOP < 4.00
<b>B</b>	4.60 ≤ SEER < 5.10	3.10 ≤ SCOP < 3.40
<b>C</b>	4.10 ≤ SEER < 4.60	2.80 ≤ SCOP < 3.10
<b>D</b>	3.60 ≤ SEER < 4.10	2.50 ≤ SCOP < 2.80
<b>E</b>	3.10 ≤ SEER < 3.60	2.20 ≤ SCOP < 2.50
<b>F</b>	2.60 ≤ SEER < 3.10	1.90 ≤ SCOP < 2.20
<b>G</b>	SEER < 2.60	SCOP < 1.90

# Featured functions



## Operation at **low outdoor temperatures**

Thanks to the specially designed control board, the air conditioner can operate as a cooling function even at outdoor temperatures down to  $-15^{\circ}\text{C}$ .



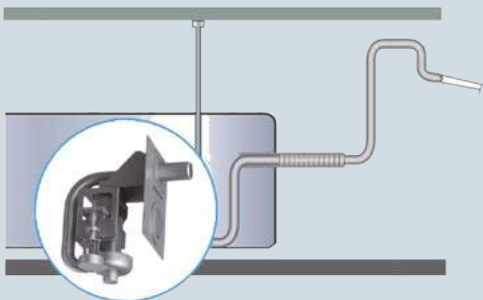
## Temperature sensor

The temperature sensor is built into the remote control. Thanks to this, the temperature measurement is performed close to the resident, while the operation of the air conditioner is adjusted to the actual room conditions.



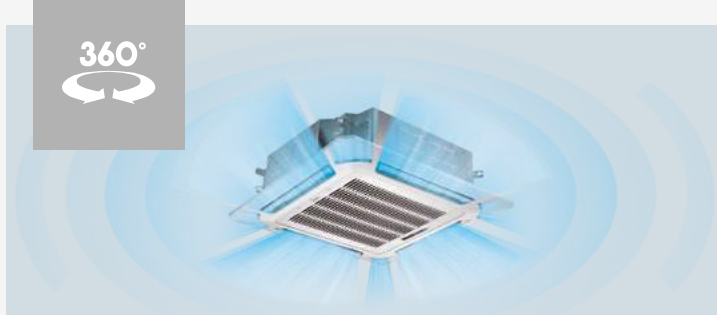
## Built-in condensate pump

Thanks to the integrated pump, condensate can be removed up to a height of 750 mm.



## 360° air supply

Cassette air conditioners are equipped with additional supply air slots in the panel. This design ensures 360° fan operation which provide even better air distribution in an air-conditioned room.





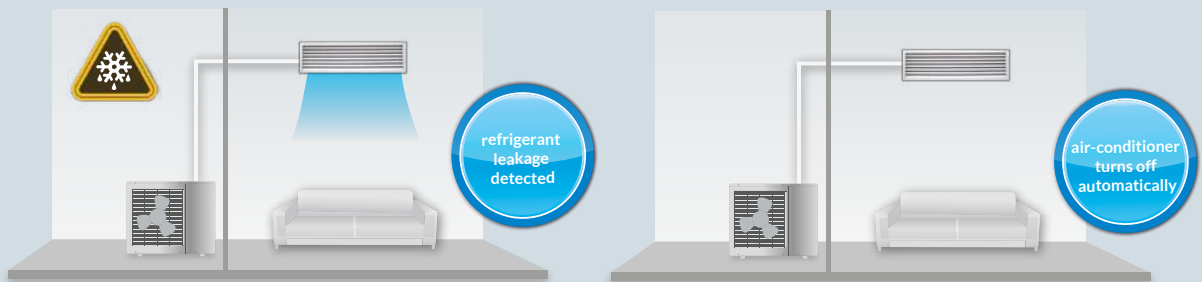
## Automatic **restart**

In case of the units equipped with the automatic restart function, the air conditioner remembers the last settings when the power supply is interrupted and automatically restores them when power is resumed.



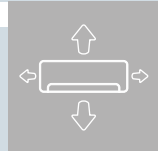
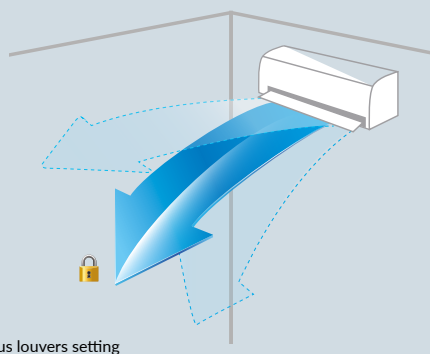
## **Indication** of refrigerant leakage

The air conditioner has a refrigerant leakage indication function. If the unit detects a leak, the indoor unit display shows EC message and the air conditioner is automatically switched off. This function also protects the compressor against damage.



## **Memory** of louvers settings

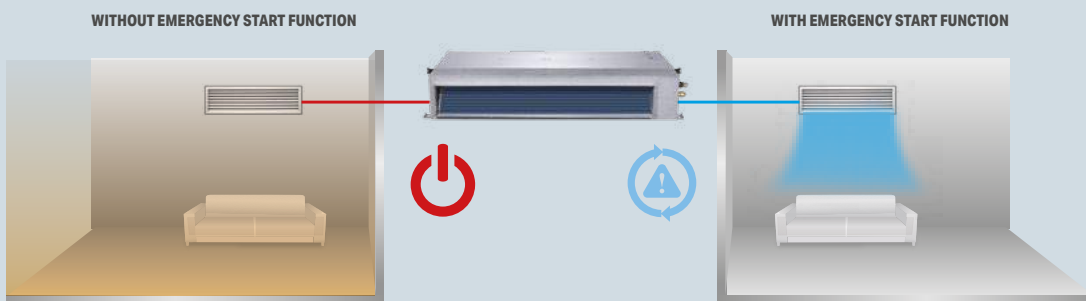
Thanks to the louvers settings saving function, after each shutdown the air conditioner retains the last settings and restores them after restarting.



## 3D **air flow**

Horizontal and vertical louvers are controlled automatically and ensure uniform temperature distribution in a room as well as optimum air circulation.





## Emergency

USE

The emergency function of the air conditioner allows the unit to operate even if one of the sensors has failed. Thanks to this solution, operation of the air conditioner is not interrupted and it can operate until the fault is rectified.

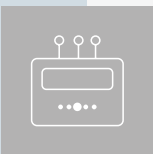


## Fresh air

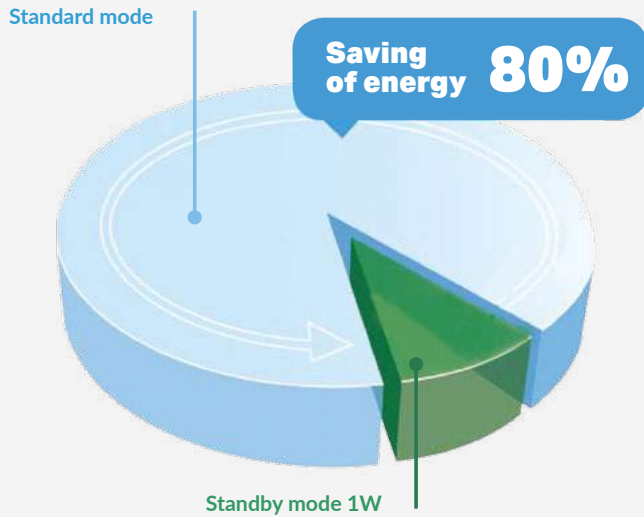
The outdoor air can be supplied via a connecting duct to the air conditioner, thus improving the thermal comfort in the room.

## Central controller

Possibility of connecting a central controller, controlling up to 64 indoor units.



## HINTS **UNIT FEATURES**



### Standby **mode**

In standby mode, the power supply is disconnected from unused electronic components, reducing power consumption to 1W. Compared to standard devices that consume 5W on average in standby mode, it saves about 80% of energy.



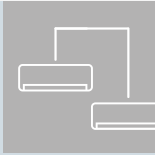
### Constant heating **8°C**

The function of maintaining a constant temperature of 8°C in heating mode is a solution especially useful in bungalows/camping pods and detached houses.

It keeps the air conditioner at a constant temperature of up to 8°C; it prevents rooms from cooling down and pipes from freezing. This prevents the build-up of moisture and thus the development of microorganisms and fungi. Air

conditioners with this option are more efficient solution than commonly used electric heaters with thermostats.

This is what distinguishes Kaisai home air conditioners in their class. Combined with the Smart AC function and the ability to set the temperature at a distance, this makes our products ideal for users who are often away from home.



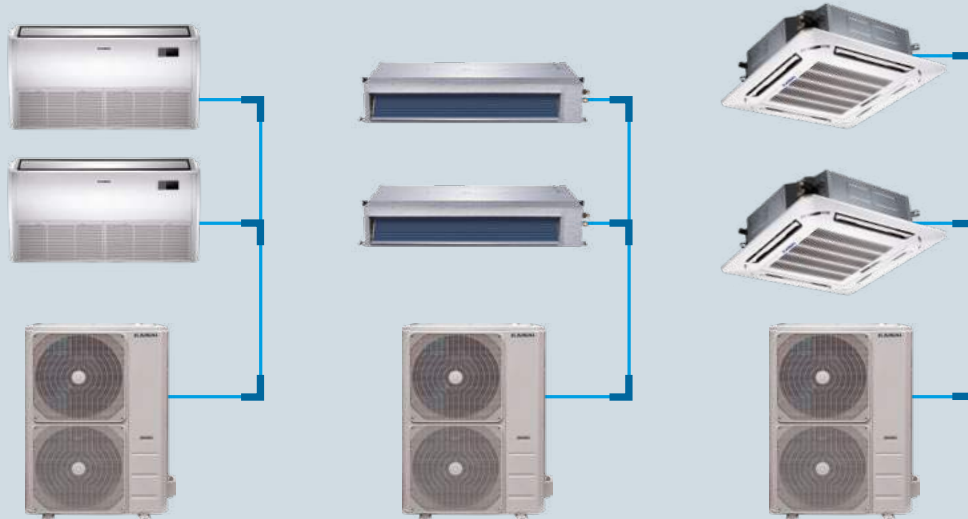
## Twin **system**

The TWIN system allows you to connect two indoor units of the same power level to a single outdoor unit.

The system consists of an outdoor unit with a cooling capacity of 10.6 or 14.0 kW, a T-piece separating the refrigerant flow and two indoor units with a capacity of 5.3 kW or 7.0 kW. They work simultaneously, so they are ideal for air conditioning of large rooms such as conference and banquet rooms, open space offices, restau-

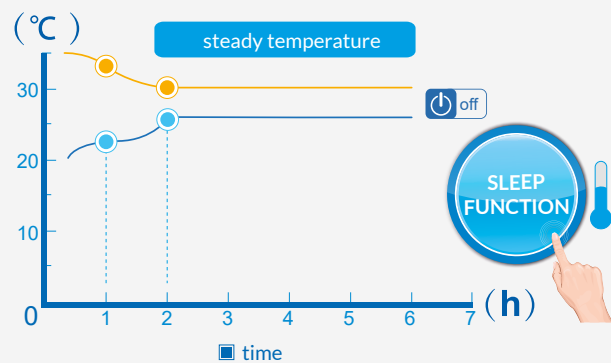
rants and other service and commercial facilities. Equal operation of two air conditioners makes it easier to maintain uniform temperature throughout the room. This solution, like the Multi Split system, also saves space, by using a single outdoor unit.

The Twin system can be used with Kaisai air conditioners: floor and ceiling air conditioners, Slim duct air conditioners, Super Slim cassette air conditioners.



## **Sleep** function

Activating the sleep function causes the unit to increase the set temperature by 1°C per hour in cooling mode (to decrease – in heating mode) within two hours. During this time the fan is running at low speed. The air conditioner switches off after 5 hours. Slow, unnoticeable temperature change and automatic shutdown guarantee comfort and energy saving.



# Breathe clean air

### For the sake of **air quality**

Modern filters used in Kaisai products guarantee clean and fresh air in an air-conditioned room. The filters capture very small dust particles, bacteria, fungi and germs, leaving a healthy and clean air.



### **Self-cleaning** of heat exchanger

In order to ensure the highest hygienic standards and comfort of use, Kaisai brand appliances use the latest self-cleaning technology of the internal heat exchanger.

After operation, the air conditioner switches to the cleaning mode. During the process, it removes moisture accumulated in the unit, which prevents the growth of microorganisms and fungi.

Kaisai air conditioners are designed for the sake of health and comfort of users.



## Filter with **silver ions**

The silver ion filter is designed to destroy bacteria and prevent the development of microorganisms such as viruses and fungi. The internal structure of silver ions destroys microorganisms.



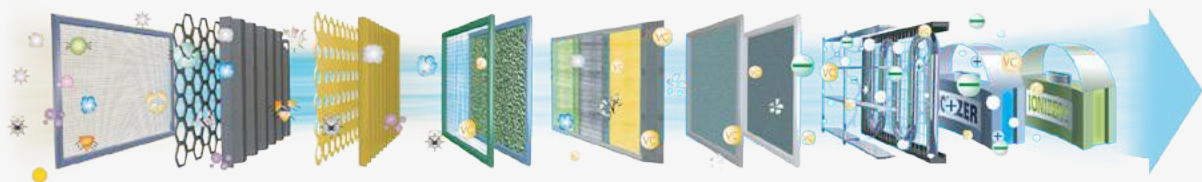
## Filter with **C vitamin**

The filter emits vitamin C, which has a positive effect on the skin, protecting it from the sun's rays. As an active antioxidant, vitamin C has a nourishing effect, stimulates collagen production and reduces stress.



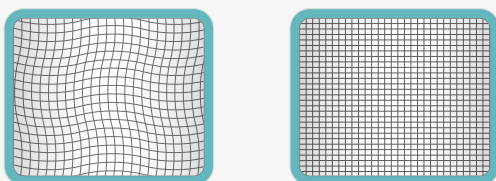
## Catalytic **filter**

By using a multilayer catalyst layer and a fiber layer, the filter removes harmful particles and unpleasant odors from the air. It also eliminates volatile formaldehyde particles and harmful organic compounds.



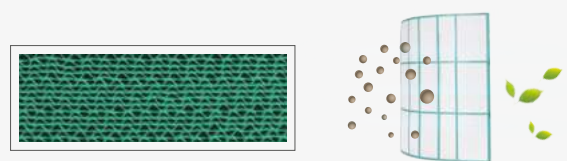
## **High-density** filter

Application of high density filters significantly increases the efficiency of dirt trapping – by up to 50%.



## **3M** filter

Thanks to its unique design, the filter captures dust particles and other harmful substances from the air, which can cause respiratory diseases.



# Modern technologies

Kaisai units are characterized by high quality of workmanship and application of modern technologies – all for the convenience of the user. Efficient and comfortable air conditioning is now available for everyone.

## inverter

### Inverter technology

Inverter technology in Kaisai air-conditioning units reduces power consumption, which in turn lowers down the cost of cooling rooms. Its application means quiet operation of the device and faster achievement of the desired air temperature.

Due to application of robust and pressure-resistant materials, the compressor in Kaisai air conditioners is extremely reliable element. In addition, it has a high-performance motor with a wide voltage range, so it can operate under extreme conditions in 24-hour mode and reach temperatures up to 60°C (230V/50Hz).



 HIGH-PERFORMANCE MOTOR	 WIDE VOLTAGE RANGE	 DURABLE COMPRESSOR MATERIAL	 HIGH-PRESSURE RESISTANCE
--	--	---	--

<>  
**total**  
**65m**

∧  
**vertical**  
**30m**

### Total installation length

Kaisai's Split range units enable installation of indoor and outdoor units at a large distance from each other – up to 65 m in total and up to 30 m vertically. This makes it much easier to plan even in older buildings. You don't have to adjust the design of your house to the air-conditioning system – we adapt it to your needs.

## Operating temperature:

Thanks to modern technology and the new R32 refrigerant, Kaisai air conditioners can operate in a wide range of outdoor temperatures: -15°C to 50°C in cooling mode and -25°C to 30°C in heating mode.

They can do their job all year round, providing users with cooling comfort in summer and additional heating in winter.

cooling [°C]

**-15 ÷ 50**

heating [°C]

**-25 ÷ 30**



## Dimensions and **design**

We make every effort to ensure that Kaisai appliances follow the latest trends in design: we want the air conditioner to be neatly shaped and in line with the trend of modern interior design.

In addition, when designing indoor cassette and duct units, we take into account the space occupied by the equipment. Thanks to the optimal size of the devices, the suspended ceiling does not require much technical space and thus leaves more room for use.

# wall air conditioners

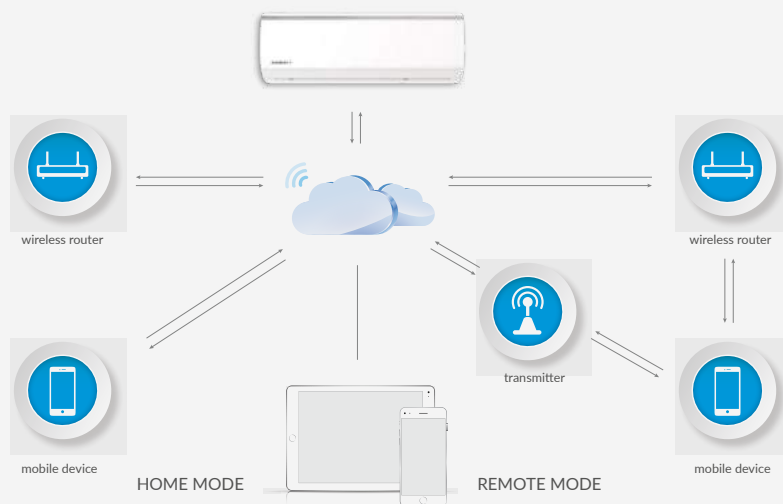
## Wi-Fi

Kaisai products comprise number of features improving the usage comfort, for example, new control options, so that managing the air conditioning has never been so convenient and easy.

### Smart AC

Smart AC is a Wi-Fi module that comes as standard with all Kaisai wall-mounted air conditioners. Thanks to its application, the user can control the device through an application installed on a tablet or smartphone, also while away from home or office.

Using the Wi-Fi function, the user can turn the device on or off, change the temperature and some operating functions from anywhere in the world, where there is Internet access. Control via Wi-Fi allows you to save electricity and improve the comfort of operating air conditioning system by controlling the temperature in the apartment or office from any location.



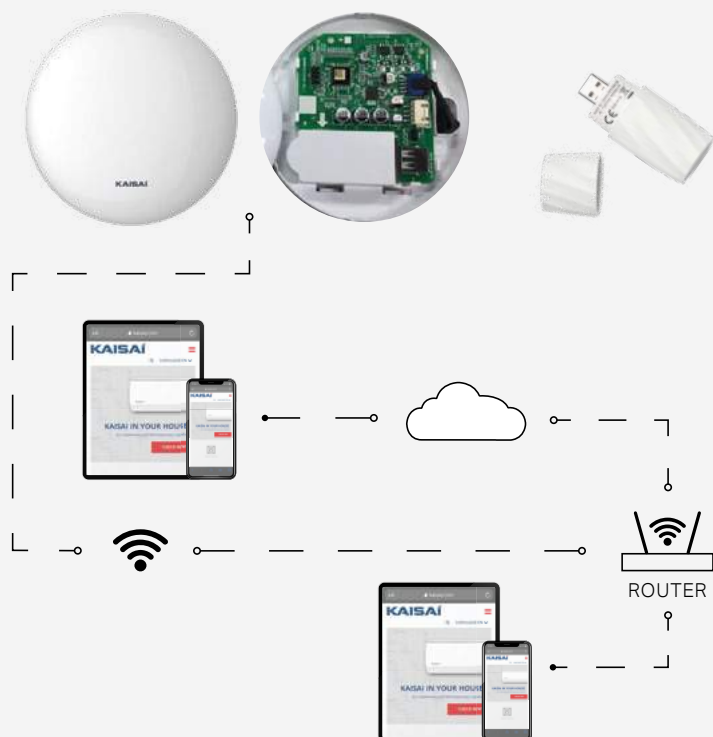
# commercial air conditioners

The WI-FI control can now be used not only for wall-mounted air conditioners but also for other KAISAI air conditioner models: cassette, duct and floor/ceiling air conditioners.



## Smart port

Smart port is a WI-FI module for KAISAI commercial air conditioners.



**Wi-Fi**



changing the operating mode, temperature and fan speed



mobile application for Android and IOS



preview of basic information about the operation of the air conditioner

# Description of functionalities

KAISAI

## Health



### Evaporator self-cleaning

After operation, the air conditioner switches into the cleaning mode and removes any moisture accumulated in the indoor unit. This prevents the development of microorganisms and fungi.



### Filter with C vitamin

The filter emits vitamin C into the room. This way the vitamin C is absorbed by the skin. This vitamin improves skin firmness, protects against harmful UV rays and reduces stress.



### Filter with silver ions

This filter contributes to the elimination of bacteria and other harmful microorganisms thanks to application of active silver ions. It ensures a high standard of air hygiene.



### Catalytic filter

Catalytic filter, due to application of multilayer catalyst coating, removes unpleasant odors from the air and effectively eliminates harmful organic compounds and volatile formaldehyde particles.



### 3M filter

Thanks to its unique design, this filter more effectively captures dust and harmful allergic substances that cause respiratory diseases.



### High-density filter

Application of an increased density filter improves the efficiency of trapping contaminants, including dust and particulate. It not only protects the unit, but also maintains the air quality.



### Fresh air

Fresh outdoor air is supplied to the unit via a connecting hose. This significantly improves the "atmosphere" in a room.

## Comfort



### Turbo mode

Thanks to this option, the air conditioner operates at increased speed and ensures fast cooling or heating of the room.



### 3D air flow

Horizontal and vertical louvers are controlled automatically and ensure uniform temperature distribution in a room as well as optimum air circulation.



### Automatic restart

During a power outage, the air conditioner remembers the last settings and restores them once the power is resumed. It does not require reprogramming of the unit after each power outage.



### 360° air supply

The unit can provide the best possible air distribution throughout the room with additional supply air slots in the air conditioner panel.



### Temperature compensation

The unit compensates for the difference between the reading of the temperature sensor on the indoor unit and the actual temperature on the room floor. The desired temperature is reached throughout the room, not just around the air conditioner.



### Cold air supply control

In order to minimize the feeling of unpleasant cool airflow, the air conditioner automatically reduces the fan's RPM in heating mode and increases the fan's speed as the air heats up.



### Wide temperature range

Operation in wide range of outdoor temperatures. -15 to 50°C in cooling mode and -25 to 30°C in heating mode.

## Cost efficiency



### 8°C continuous heating function

When the user is absent, the air conditioner maintains a constant room temperature of up to 8°C in heating mode, preventing the room from cooling down.



### Standby mode

In standby mode, disconnection from unused components reduces power consumption even up to 80%.



### Sleep function

Within two hours, the unit increases (in heating mode – decreases) the set temperature by 1°C per hour, and the fan is running at low speed. This reduces electric energy consumption and provides the best comfort for the user.



### 5 fan speeds of the outdoor unit

Thanks to the inverter technology, the outdoor unit has 5 modes of operation, which improves the energy efficiency and the comfort of operation of the unit.



### 12 fan speeds of indoor unit

The 12-stage fan control of the indoor unit ensures maximum comfort in the room and improves the energy efficiency.



### Temperature sensor in the remote control

The temperature sensor built into the remote control allows measurement of the temperature closer to the user, so that the unit can better adapt to the surrounding area.



### Eco

AC will run into a 8-hour saving mode which cuts 60% energy off against normal mode.

## Safety



### Evaporation of condensate

The condensed water is transferred to the condenser where it evaporates. As a result, the condensate tank is not required.



### Operation at low outdoor temperatures

The air conditioner operates in the cooling mode even at outdoor temperatures as low as -15°C.



### Operation at very low outdoor temperatures

The air conditioner operates even at outdoor temperatures as low as -25°C.



### Indication of refrigerant leakage

The error code will be displayed on the control panel of the indoor unit, when the outdoor unit detects the refrigerant leak.



### Emergency use

If one of the sensors fails, operation of the unit is not interrupted and can be continued until the failure has been corrected.



### Self-diagnosis

The air conditioner monitors its operation and switches off when a malfunction or failure is detected. The error code is displayed on the control panel of the indoor unit.



### Alarm port

The air conditioner is equipped with the alarm port enabling output of the fault signal.



#### Timer

The timer enables setting the time of automatic switching on and off the air conditioner.



#### Automatic louver (swing)

Automatic operation of horizontal louvers significantly improves the air distribution in the room.



#### Mono and multi

The indoor unit is universal and can be used in single-unit (mono-split) and multiple-unit (multi-split) systems.



#### Simple installation

The air conditioner enables easy installation and does not require any additional operation efforts.



#### Twin combination

Two identical indoor units operate simultaneously, connected to one outdoor unit.



#### Two-sided installation

It is possible to connect refrigerant supply pipes and condensate drain from both sides of the indoor unit, which facilitates installation and adaptation to the layout of the room.



#### Customized remote control

It is possible to change the factory settings of the remote control to suit the current needs of the user.



#### Central controller

Possibility of connecting a central controller, controlling up to 64 indoor units.



#### Memory of louvers settings

After each shutdown, the air conditioner remembers last settings of the louvers and restores them after the restart.



#### Port ON/OFF

The air conditioner is equipped with the port enabling remote switching on/off from a long distance (using non-voltage signal).



#### Multi directional casters

Thanks to the integrated casters, changing location of the air conditioner is easier.



#### Wi-Fi Control

The Wi-Fi module enables remote control of the air conditioner with a smartphone or tablet – from anywhere in the world.



#### Built-in condensate pump

Thanks to the integrated pump, condensate can be discharged up to a height of 750 mm.



#### Compact dimensions

Thanks to well planned components, the air conditioner features small dimensions while maintaining full performance parameters.



#### Large installation length

Thanks to the applied technological solutions, the indoor and outdoor units of the air conditioner can be separated from each other up to 50 m in total and 25 meters vertically.



#### Very large installation length

Thanks to the applied technological solutions, the indoor and outdoor units of the air conditioner can be separated from each other up to 65 m in total and 30 meters vertically.



■ STANDARD □ OPTION



		WALL-MOUNTED	FLOOR STANDING	FLOOR/CEILING	CASSETTE COMPACT	CASSETTE SUPER SLIM	DUCT SLIM	PORTABLE
	Evaporator self-cleaning	■						
	High-density filter	■						
	3D air flow	■ / □	■	■				
	Automatic restart	■	■	■	■	■	■	■
	360° air supply				■	■		
	Temperature compensation	■		■	■	■	■	
	Cold air supply control	■	■	■	■	■	■	
	Wide temperature range	■	■					
	8°C continuous heating function	■		□	□	□		
	Standby mode	■						
	Sleep function	■	■	■	■	■		■
	Temp. sensor in remote control	■	■	■	■	■	■	
	Condensate evaporation							■
	Operation at low outdoor temp.	■	■	■	■	■	■	
	Indication of refrigerant leakage	■	■	■	■	■	■	
	Emergency use	■		■	■	■	■	
	Self-diagnosis	■	■	■	■	■	■	■
	Alarm port			■	■	■	■	
	Timer	■	■	■	■	■	■	■
	Automatic louver (swing)	■	■	■	■	■		■
	Mono- and multi-unit	■			■		■	
	Simple installation							■
	Twin combination			■			■	
	Two-sided installation	■		■			■	
	Fresh air			■	■	■	■	
	Memory of louvers settings	■		■	■	■		
	Port ON/OFF			■	■	■	■	
	Multi-directional casters							■
	Wi-Fi Control	■		□	□	□	□	
	Built-in condensate pump			□	■	■	■	

■ STANDARD □ OPTION

# Product range

38

## Split air conditioners

Compact dimensions provide a subtle, elegant look, and a number of unit types allow them to be adapted to different types of interiors – both at home, in offices and in retail outlets.



52

## Multi Split systems

These systems are recommended for buildings requiring air conditioning in many rooms. All the advantages of split-type devices with a single outdoor unit are retained.



## Commercial air conditioners

58

Commercial facilities, such as offices, hotels, and restaurants, require equipment which provides a particularly effective air-conditioning system. Depending on the area and purpose of the facility, as well as the installation possibilities, we can apply floor, floor/ceiling, cassette, duct, or condensing units.



84

## Portable air conditioners

Portable air conditioners are used where it is not possible to install split air conditioners. Thanks to their modern design, they are suitable for home and office interiors.





90

## Air curtains



Air curtains are an important addition to air conditioning in commercial premises. By creating an outdoor air barrier, they reduce the energy consumption of the air conditioning system and increase the comfort of the air in passageways.

98

## Heat pumps

Air-to-water heat pumps use the energy stored in the air to heat the building and to achieve high temperatures for domestic hot water. They are an economic and ecological solution for everyone.

108







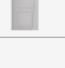
## Controllers



Kaisai's wide range of controllers allows you to conveniently adjust the air conditioners to your needs. Wired controllers, wireless remote controls and the Smart AC – Wi-Fi function allow you to comfortably use and adjust the operation of air conditioners for the most demanding users.



# Product series

TYPE	COOLING/HEATING CAPACITY [kW]					
	2.6	3.5	5.3	6.0	7.0÷7.2	7.9÷8.2
<b>AIR CONDITIONING UNITS</b>						
 FLY	•	•	•		•	
 ONE	•	•	•		•	
 PRO+		•				
<b>MULTI SPLIT SYSTEMS</b>						
 WALL-MOUNTED	•	•	•		•	
 CASSETTE COMPACT	•	•	•			
 DUCT			•			
 OUTDOOR UNITS			•		•	•
<b>COMMERCIAL AIR CONDITIONERS</b>						
 FLOOR STANDING						
 FLOOR/CEILING			•		•	
 CASSETTE COMPACT		•	•			
 CASSETTE SUPER SLIM					•	
 DUCT SLIM			•		•	
 CONDENSING UNITS		•	•		•	
<b>PORTABLE</b>						
 KPPH	•					
 KPC	•					
 KPPD		•				
<b>AIR CURTAINS</b>						
 SILVER				•		
 GOLD		•		•		•
 PLATINUM NEW						•
<b>HEAT PUMPS</b>						
 SPLIT R32						•
 MONOBLOCK R32					•	
 SPLIT R410A						•

COOLING/HEATING CAPACITY [kW]

9.0	10.0	10.6	12.0÷12.4	14.0÷14.1	15.2÷15.8	page.
						<b>38</b>
						40
						44
						48
						<b>52</b>
						56
						56
						56
			•	•		55
						<b>58</b>
				•		60
			•	•	•	64
						68
			•	•	•	72
			•	•	•	76
			•	•	•	80
						<b>84</b>
						87
						88
						89
						<b>90</b>
		•		•		92
		•		•		94
		•		•		96
						<b>98</b>
		•				100
•				•	•	102
		•		•	•	104

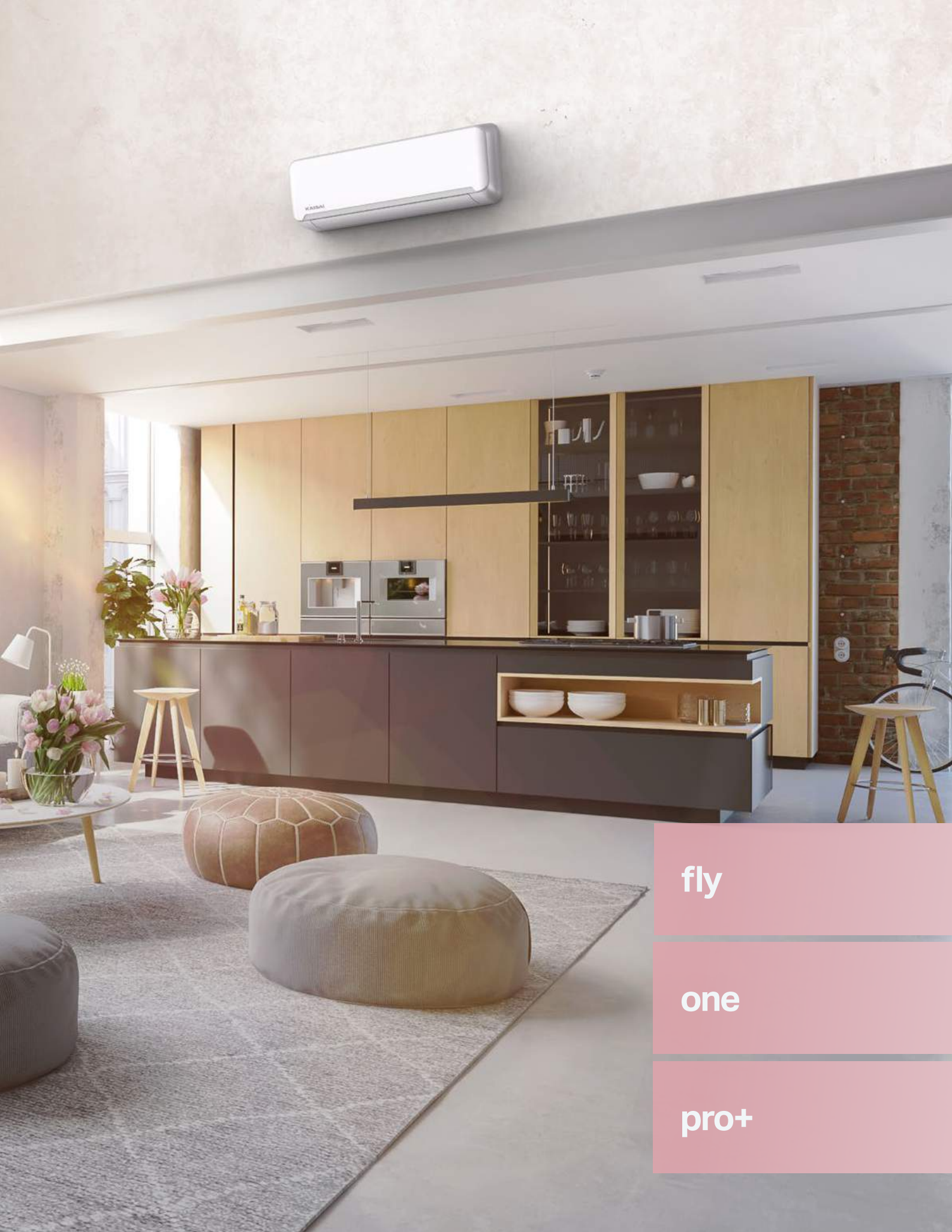
# wall-mounted air conditioners

The compact dimensions of the wall-mounted units provide an elegant appearance and comfort of use, combined with high efficiency and simple installation.

The models come in many sizes, which makes it possible to adapt them to different types of interior, for both home and office use, as well as for commercial applications. The wall-mounted appliances do not require much space, and provide perfect room temperature in a very short time.

All wall-mounted air conditioners by Kaisai use the environmentally friendly R32 refrigerant, and standard accessories include the Wi-Fi function to control the unit using mobile devices. Depending on the model, there is a number of practical functions available for intuitive control and the optimum adaptation of the device to the needs of the user.





fly

one

pro+





A+

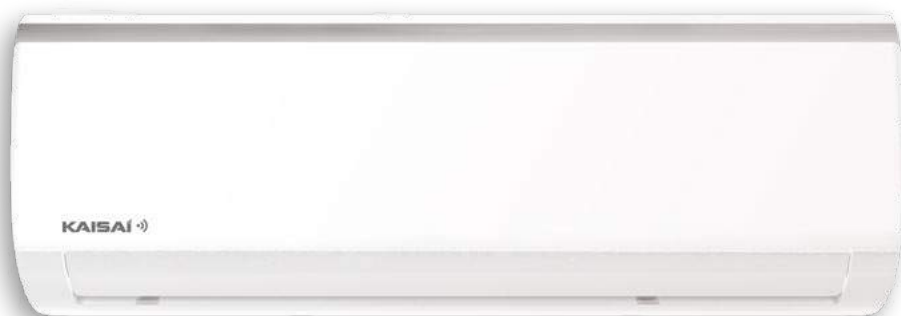
R32



# fly

## wall-mounted air conditioners

KWX 09 | 12 | 18 | 24 HRBI



The Kaisai Fly energy-saving wall-mounted air conditioner with R32 refrigerant combines elegance with functionality. Its universal, timeless design makes it suitable for any interior.

The device enables effective operation in the heating mode at outdoor temperature even down to -25°C. Wi-Fi function as standard increases the convenience of air conditioning control, and a modern wireless remote control allows you to use 3 additional functions: evaporator self-cleaning (Self Clean), continuous heating 8°C (Heating 8°C) and temperature sensor in the remote control (Follow Me).



KWX 09 | 12 | 18 | 24 HRBI



excellent solution for bedroom, sitting room or office



## UNIT FUNCTIONS



Wide range of temperatures



Filter with high-density



Memory of louvers settings



Indication of refrigerant leakage



Operation at low outdoor temperature



Control Wi-Fi



Emergency use



Catalytic filter



Standby mode



8°C heating function



Temperature sensor in remote control unit



Self-diagnosis



Mono- and multi-unit



Timer



Automatic restart



Sleep function



Evaporator self-cleaning



Filter with silver ions



Filter with C vitamin



3M filter



## TECHNICAL SPECIFICATION

MODEL	indoor unit		KWX-09HRBI	KWX-12HRBI	KWX-18HRBI	KWX-24HRBI
	outdoor unit		KWX-09HRBO	KWX-12HRBO	KWX-18HRBO	KWX-24HRBO
Capacity average (min÷max)	cooling	kW	2,6(0,9÷3,4)	3,5(1,1÷4,2)	5,3(1,8÷6,1)	7,0(2,1÷7,9)
	heating	kW	2,9(0,8÷3,4)	3,8(1,1÷4,2)	5,6(1,4÷6,7)	7,3(1,6÷8,8)
Energy class	cooling/heating		A++/A+	A++/A+	A++/A+	A++/A+
SEER	average	W/W	6,3	6,1	7,1	6,1
SCOP	average	W/W	4,0	4,0	4,0	4,0
Power input average (min÷max)	cooling	W	732(100÷1240)	1213(130÷1580)	1539(140÷2360)	2345(160÷2960)
	heating	W	733(120÷1200)	1088(100÷1680)	1480(200÷2410)	2035(260÷3140)
Operation current average (min÷max)	cooling	A	3,2(0,4÷5,4)	5,3(0,5÷6,9)	6,9(0,6÷10,3)	10,2(0,7÷13,3)
	heating	A	3,2(0,5÷5,2)	4,7(0,4÷6,9)	6,4(0,9÷10,5)	10,2(1,1÷13,3)
Air flow	indoor	m³/h	466/360/325	540/430/314	840/680/540	980/817/662
	outdoor	m³/h	1750	1800	2500	3000
Operating temperature cooling/heating	indoor	°C	17÷32/0÷30	17÷32/0÷30	17÷32/0÷30	17÷32/0÷30
	outdoor	°C	-15÷50/-25÷30	-15÷50/-25÷30	-15÷50/-25÷30	-15÷50/-25÷30
Sound pressure level	indoor	dB(A)	38,5/32/25/21	40,5/34,5/25/22	44/37/30/25	44,5/42/34,5/28
	outdoor	dB(A)	55,5	56	56	59,5
Net dimensions w/h/d	indoor	mm	805/285/194	805/285/194	957/302/213	1040/327/220
	outdoor	mm	720/495/270	720/495/270	800/554/333	845/702/363
Transport dimensions w/h/d	indoor	mm	870/365/270	870/365/270	1035/380/295	1120/310/405
	outdoor	mm	835/540/300	835/540/300	920/615/390	965/765/395
Net weight	indoor	kg	7,6	7,6	10,0	12,3
	outdoor	kg	23,2	23,2	34,0	51,5
Transport weight	indoor	kg	9,7	9,7	13,0	15,8
	outdoor	kg	25,0	25,0	36,7	54,5
Pipe diameter: liquid/gas		mm	6,35/9,52	6,35/9,52	6,35/12,7	9,52/15,9
Total length of installation		m	25	25	30	50
Max. level difference		m	10	10	20	25
Power supply	outdoor	V/Hz/Ph	220÷240/50/1	220÷240/50/1	220÷240/50/1	220÷240/50/1
Circuit breaker/fuse	outdoor	A	10	16	16	20
Power supply lines	outdoor	# of wires x mm²	3x1,5	3x1,5	3x2,5	3x2,5
Control lines	ind. - outd.	# of wires x mm²	5x1,5	5x1,5	5x1,5	5x1,5
Factory amount of refrigerant	up to 5 m	kg	0,55	0,55	1,0	1,6
Additional amount of refrigerant	over 5 m	g/m	12	12	12	24
<b>NET PRICE EUR</b>			<b>660</b>	<b>705</b>	<b>1 120</b>	<b>1 450</b>

KWX-xxHRB air conditioners are technically comparable with KWX-xxHRD, they differ in a wireless controller. When operating in heating mode at an outdoor temperature below -15 °C the use of additional electric heaters is recommended.

## ACCESSORIES AND CONTROLLERS



WIRELESS CONTROL UNIT  
**RG66A2**



WIRELESS CONTROL UNIT  
**RG57 (OPTION)**



WIRED CONTROLLER  
**KJR12B (OPTION)**



WIRED CONTROLLER  
**KJR90A (OPTION)**



A+

R32



# one

## wall-mounted air conditioners

KRX 09 | 12 | 18 | 24 AEXI



The Kaisai One wall mounted air conditioner is an energy-efficient appliance combining modern design with exceptionally simple installation, maintenance, and cleaning.

The new design of the air conditioner, with its properly shaped casing, and the optimised arrangement of the individual components inside the unit, help save time during installation and daily operation.

By using modern technology and the R32 refrigerant, the air conditioner can operate in a wide range of outdoor temperatures: from -15°C to +50°C in the cooling mode, and from -25 to +30°C in the heating mode.

Comfort of use is provided by a modern wireless remote control and a Wi-Fi function as standard, to control the device using your mobile phone or tablet.



KRX 09 | 12 | 18 | 24 AEXI



particularly  
easy to install,  
maintain  
and clean



## UNIT FUNCTIONS



Wide range of temperatures



Simple installation



Memory of louvers settings



Indication of refrigerant leakage



Operation at low outdoor temperature



Self-diagnosis



Emergency use



Control Wi-Fi



Standby mode



8°C heating function



Evaporator self-cleaning



Temperature sensor in remote control unit



3D air flow



Timer



Automatic restart



Sleep function



Catalytic filter



Filter with silver ions



Filter with C vitamin



3M filter

## TECHNICAL SPECIFICATION

MODEL	indoor unit		KRX-09AEXI	KRX-12AEXI	KRX-18AEXI	KRX-24AEXI
	outdoor unit		KRX-09AEXO	KRX-12AEXO	KRX-18AEXO	KRX-24AEXO
Capacity average (min÷max)	cooling	kW	2,6(1,2÷3,4)	3,5(1,4÷4,6)	5,3(2,0÷6,2)	7,2(2,1÷8,4)
	heating	kW	2,9(0,8÷3,4)	4,1(0,9÷5,1)	5,7(1,3÷7,0)	7,6(2,1÷9,4)
Energy class	cooling/heating		A++/A+	A++/A+	A++/A+	A++/A+
SEER	average	W/W	6,8	6,3	6,7	6,4
SCOP	average	W/W	4,0	4,0	4,0	4,0
Power input average (min÷max)	cooling	W	737(100÷1312)	1250(110÷1740)	1500(150÷2220)	2260(230÷3010)
	heating	W	811(140÷1380)	1170(150÷1830)	1390(220÷2330)	2110(330÷3150)
Operation current average (min÷max)	cooling	A	3,1(0,4÷6,0)	5,4(0,5÷7,6)	6,5(0,7÷9,7)	9,8(1,0÷13,1)
	heating	A	3,5(0,6÷6,3)	5,1(0,7÷8,0)	6,0(1,0÷10,1)	9,2(1,4÷13,7)
Air flow	indoor	m³/h	486/433/329	550/490/360	810/720/550	1050/970/650
	outdoor	m³/h	2000	2000	2100	2700
Operating temperature cooling/heating	indoor	°C	17÷32/0÷30	17÷32/0÷30	17÷32/0÷30	17÷32/0÷30
	outdoor	°C	-15÷50/-25÷30	-15÷50/-25÷30	-15÷50/-25÷30	-15÷50/-25÷30
Sound pressure level	indoor	dB(A)	41/35/29/20	41/37/30/23	45/41/33/24	46/44/35/27
	outdoor	dB(A)	55	55	57	59
Net dimensions w/h/d	indoor	mm	717x302x193	805x302x193	964x325x222	1106x342x232
	outdoor	mm	770x555x300	770x555x300	800x554x333	845x702x363
Transport dimensions w/h/d	indoor	mm	785x375x285	875x375x285	1045x405x305	1195x420x315
	outdoor	mm	900x585x345	900x585x345	920x615x390	965x765x395
Net weight	indoor	kg	7,8	8,2	10,8	14,3
	outdoor	kg	27,0	27,2	37,0	50,0
Transport weight	indoor	kg	10,3	10,9	14,3	18,2
	outdoor	kg	29,4	29,7	39,9	53,1
Pipe diameter: liquid/gas		mm	6,35/9,52	6,35/9,52	6,35/12,7	9,52/15,9
Total length of installation		m	25	25	30	50
Max. level difference		m	10	10	20	25
Power supply	outdoor	V/Hz/Ph	220÷240/50/1	220÷240/50/1	220÷240/50/1	220÷240/50/1
Circuit breaker/fuse	outdoor	A	10	16	16	20
Power supply lines	outdoor	# of wires x mm²	3x1,5	3x1,5	3x2,5	3x2,5
Control lines	ind. - outd.	# of wires x mm²	5x1,5	5x1,5	5x1,5	5x1,5
Factory amount of refrigerant	up to 5 rm	kg	0,7	0,8	1,25	1,6
Additional amount of refrigerant	over 5 rm	g/m	12	12	12	24
<b>NET PRICE EUR</b>			<b>720</b>	<b>785</b>	<b>1 200</b>	<b>1 578</b>

## ACCESSORIES AND CONTROLLERS



WIRELESS CONTROL UNIT  
**RG66A1**



WIRELESS CONTROL UNIT  
**RG57 (OPTION)**



WIRED CONTROLLER  
**KJR-120X2 (OPTION)**



CENTRAL CONTROLLER  
**CCM03 (OPTION)**





A+

R32



# pro<sup>+</sup>

## wall-mounted air conditioners

KSN-12PRBI



The modern Kaisai Pro+ wall mounted air conditioner is a top-class energy-efficient appliance, distinguished by the exceptionally high SEER 8.1 and SCOP 4.6 energy-efficiency ratios.

The appliance is an ideal solution in cold climate zones, allowing for effective heating of rooms in a very wide range of outdoor temperatures. Thanks to the standard equipment, consisting of the compressor crankcase heater and the heater installed in the lower part of the outdoor unit casing, the air conditioner has the possibility to operate in the heating mode at outdoor temperature of up to -30°C.

The heat exchanger installed in the air conditioner is equipped with gold fins, which improve the efficiency of heat exchange, and also increase its anti-corrosion properties and prevent the growth of bacteria.

Pro+ combines modern design with a high level of user experience, thanks to the following functions: Wi-Fi as standard, Eco, and 3D air supply.



KSN-12PRBI



the highest  
energy  
efficiency  
class



## UNIT FUNCTIONS



3D air flow



Filter with  
high-density



Memory  
of louvers  
settings



Indication of  
refrigerant  
leakage



Operation at  
low outdoor  
temperature



Control Wi-Fi



Emergency  
use



Catalytic  
filter



Standby  
mode



8°C heating  
function



Two-sided  
installation



Temperature  
sensor in  
remote  
control unit



Eco



Timer



Automatic  
restart



Sleep  
function



Evaporator  
self-cleaning



5 fan speeds  
of the  
outdoor unit



Turbo mode



Filter with  
silver ions



Filter  
with C vitamin



3M filter

OPTION

OPTION

OPTION

## TECHNICAL SPECIFICATION

MODEL	indoor unit	KSN-12PRBI	
	outdoor unit	KSN-12PRBO	
Capacity average (min÷max)	cooling	kW	3,5(0,9÷4,7)
	heating	kW	3,5(1,0÷6,5)
Energy class	cooling/heating		A++/A++
SEER	average	W/W	8,1
SCOP	average	W/W	4,6
Power input average (min÷max)	cooling	W	977(53÷1590)
	heating	W	1095(167÷2130)
Operation current average (min÷max)	cooling	A	4,2(0,5÷7,0)
	heating	A	4,8(1,2÷9,4)
Air flow	indoor	m³/h	611/479/360
	outdoor	m³/h	2000
Operating temperature cooling/heating	indoor	°C	18÷32/0÷27
	outdoor	°C	-15÷43/-30÷30
Sound pressure level	indoor	dB(A)	42/35/25/22
	outdoor	dB(A)	55,5
Net dimensions w/h/d	indoor	mm	802x297x189
	outdoor	mm	800x554x333
Transport dimensions w/h/d	indoor	mm	875x375x285
	outdoor	mm	920x615x390
Net weight	indoor	kg	8,5
	outdoor	kg	34,7
Transport weight	indoor	kg	11,1
	outdoor	kg	37,5
Pipe diameter: liquid/gas		mm	6,35/9,52
Total length of installation		m	25
Max. level difference		m	10
Power supply	outdoor	V/Hz/Ph	220÷240/50/1
Circuit breaker/fuse	outdoor	A	10
Power supply lines	outdoor	# of wires x mm²	3x1,5
Control lines	ind. - outd.	# of wires x mm²	5x1,5
Factory amount of refrigerant	up to 5 rm	kg	0,87
Additional amount of refrigerant	over 5 rm	g/m	12
<b>NET PRICE EUR</b>			<b>1 350</b>

## ACCESSORIES AND CONTROLLERS



WIRELESS CONTROL UNIT  
**RG66B7**



WIRELESS CONTROL UNIT  
**RG66A1 (OPTION)**



WIRELESS CONTROL UNIT  
**RG57 (OPTION)**



# multi split systems

Air conditioners working in the Multi Split system are extremely energy-efficient and highly efficient devices. The system design allows for installation of 2 to 5 Fly wall units or Compact cassette units to one cooling unit (outdoor unit).

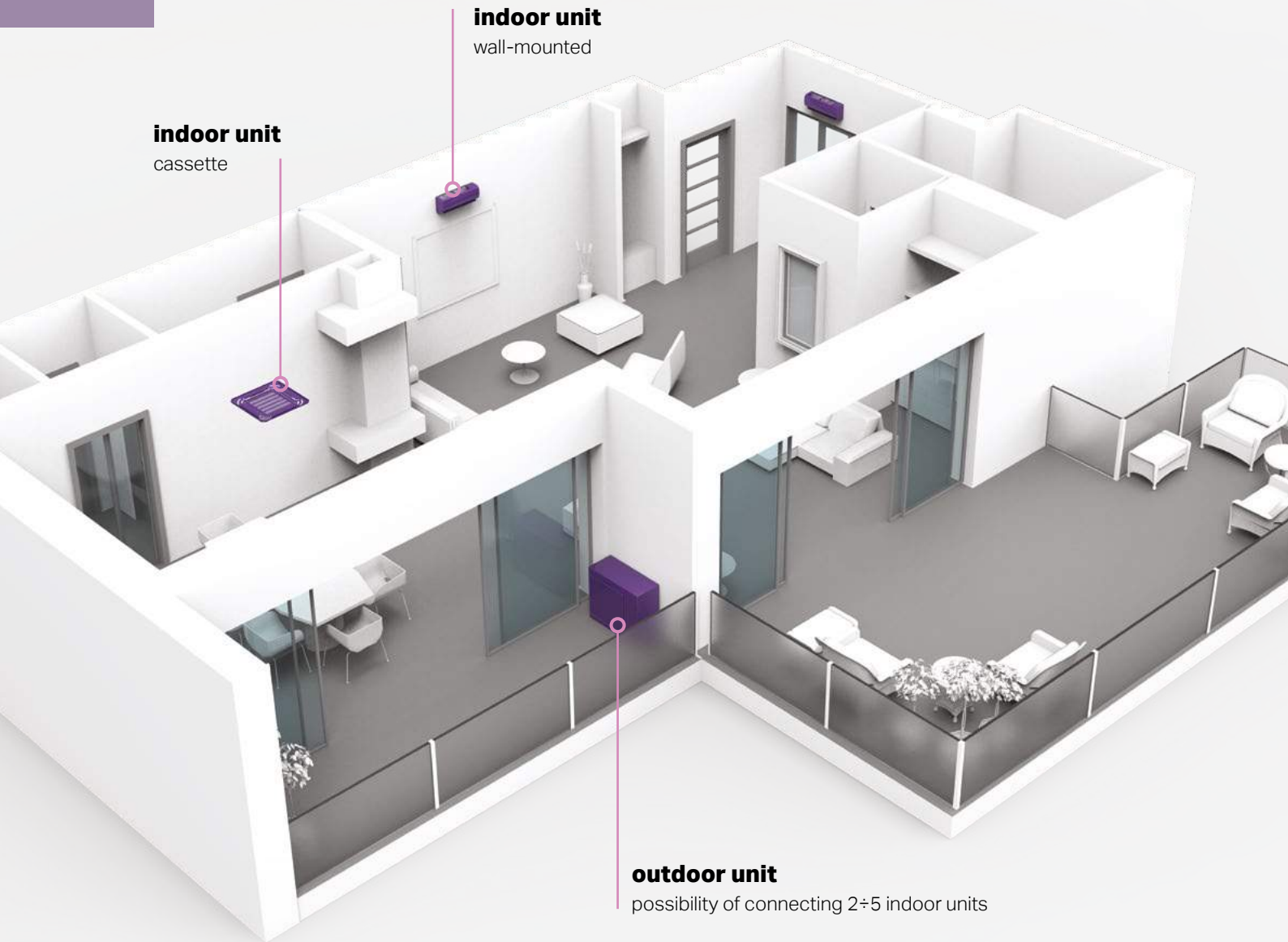
Each of the indoor units operates individually, has the ability to independently adjust the temperature and adjust the power to the needs of users. When buying a Multi Split air conditioner, we must select the cooling capacity needed for each room where there is a wall or cassette air conditioner. Selected devices are installed in rooms, and at the very end we connect each of the air conditioners to the previously installed one, large cooling unit. In this way, we do not need to install an indoor or outdoor unit in every room.





outdoor units

indoor units



**indoor unit**  
cassette

**indoor unit**  
wall-mounted

**outdoor unit**  
possibility of connecting 2÷5 indoor units

# multi split systems

Air conditioners working in the Multi Split system are extremely energy-efficient and highly efficient devices. The system design allows for installation of 2 to 5 Fly wall units or Compact cassette units to one cooling unit (outdoor unit).

Each of the indoor units operates individually, has the ability to independently adjust the temperature and adjust the power to the needs of users. When buying a Multi Split air conditioner, we must select the cooling capacity needed for each room where there is a wall or

cassette air conditioner. Selected devices are installed in rooms, and at the very end we connect each of the air conditioners to the previously installed one, large cooling unit. In this way, we do not need to install an indoor or outdoor unit in every room.

# outdoor units

K20C-18 | 30E-27 | K40E-28 HFN32  
K40B-36 | 50D-42 HFN32



## TECHNICAL SPECIFICATION

MODEL			K20C-18HFN32	K30E-27HFN32	K40E-28HFN32	K40B-36HFN32	K50D-42HFN32
Capacity	cooling, average	kW	5,3	7,9	8,2	10,6	12,4
	heating, average	kW	5,6	8,2	8,8	10,6	12,4
Energy class	cooling/heating	W/W	A+/A	A++/A+	A++/A	A++/A	A++/A
SEER	average	W/W	6,0	6,1	6,1	6,2	6,1
SCOP	average	W/W	3,8	4,0	3,8	3,8	3,5
Power input	cooling, average	W	1630	2450	2540	3270	4260
	heating, average	W	1390	2100	2200	2760	3100
Operation current	cooling, average	A	7,1	13,7	11,3	14,3	18,5
	heating, average	A	6,1	12,5	9,8	12,1	13,5
Air flow		m³/h	2200	2700	3800	4000	3850
Operating temp., cooling/heating		°C	-15÷50/-15÷24	-15÷50/-15÷24	-15÷50/-15÷24	-15÷50/-15÷24	-15÷50/-15÷24
Static pressure level		dB(A)	56	54	61,5	63	64
Net dimensions w/h/d		mm	800/554/333	845/702/363	946/810/410	946/810/410	946/810/410
Transport dimensions: w/h/d		mm	920/615/390	965/775/395	1090/875/500	1090/875/500	1090/875/500
Net weight		kg	35,5	51,1	62,1	68,8	73,3
Transport weight		kg	38,5	55,8	67,7	75,6	80,4
Pipe diameter: liquid/gas		mm	2x 6,35/9,52	3x 6,35/9,52	3x 6,35/9,52 + 1x 6,35/12,7	3x 6,35/9,52 + 1x 6,35/12,7	4x 6,35/9,52 + 1x 6,35/12,7
Total length of installation		m	40	60	80	80	80
Max. length of installation for 1 single indoor unit		m	25	30	35	35	35
Max. level difference		m	15	15	15	15	15
Electric power supply	V/Hz/Ph		220÷240/50/1	220÷240/50/1	220÷240/50/1	220÷240/50/1	220÷240/50/1
Circuit breaker/fuse	A		16	20	25	25	25
Power supply lines	# of wires x mm²		3x2,5	3x2,5	3x4,0	3x4,0	3x4,0
Control lines			4x1,5	4x1,5	4x1,5	4x1,5	4x1,5
Factory amount of refrigerant		kg	1,25	1,72	2,1	2,1	2,4
Additional amount of refrigerant		g/m	12 (above 15 m installation)	12 (above 22,5 m installation)	12 (above 30 m installation)	12 (above 30 m installation)	12 (above 37,5 m installation)
<b>NET PRICE EUR</b>			<b>1 070</b>	<b>1 600</b>	<b>2 200</b>	<b>2 545</b>	<b>2 780</b>



# indoor units



KWX 09 | 12 | 18 | 24 HRBI

WIFI AS STANDARD



KTI-18HWP32X

MODEL			KWX-09HRBI	KWX-12HRBI	KWX-18HRBI	KWX-24HRBI	KTI-18HWP32X
Power supply		V/Hz/Ph	220÷240/50,1	220÷240/50/1	220÷240/50/1	220÷240/50/1	220÷240/50/1
Capacity	cooling	kW	2,6	3,5	5,3	7,0	5,3
	heating	kW	2,9	3,8	5,6	7,3	5,6
Air flow		m <sup>3</sup> /h	466/360/325	540/430/314	840/680/540	980/817/662	880/650/350
Sound pressure level	high/medium/low	dB(A)	38,5/32/25/21	40,5/34,5/25/22	44/37/30/25	44,5/42/34,5/28	41,5/38/33
Available static pressure	factory / max.	Pa					25/100
Dimensions: w/h/d	net	mm	805/285/194	805/285/194	957/302/213	1040/327/220	880/210/674
	transport	mm	870/365/270	870/365/270	1035/380/295	1120/310/405	1070/280/725
Weight	net	kg	7,6	7,6	10,0	12,3	24,3
	transport	kg	9,7	9,7	13,0	15,8	29,6
Pipe diameter	liquid	mm	6,35	6,35	6,35	9,52	6,35
	gas	mm	9,52	9,52	12,7	15,9	12,7
<b>NET PRICE EUR</b>			<b>297</b>	<b>320</b>	<b>430</b>	<b>530</b>	<b>630</b>



KCA3I-09HRB32 | KCA3U 12 | 18 HRB32X

MODEL			KCA3I-09HRB32	KCA3U-12HRB32X	KCA3U-18HRB32X
Power supply		V/Hz/Ph	220÷240/50/1	220÷240/50/1	220÷240/50/1
Capacity	cooling	kW	2,6	3,5	5,3
	heating	kW	2,8	4,4	5,4
Air flow		m <sup>3</sup> /h	580/500/450	617/504/416	720/625/540
Sound pressure level	high/medium/low	dB(A)	38/33/29	41/36/33	42,5/39/35,5
Dimensions: w/h/d indoor unit	net	mm	570/260/570	570/260/570	570/260/570
	transport	mm	662/317/662	662/317/662	662/317/662
Dimensions: w/h/d panel	net	mm	647/50/647	647/50/647	647/50/647
	transport	mm	715/123/715	715/123/715	715/123/715
Weight indoor unit /panel	net	kg	14,5/2,5	16/2,5	16/2,5
	transport	kg	17,3/4,5	21,4/4,5	21,4/4,5
Pipe diameter	liquid	mm	6,35	6,35	6,35
	gas	mm	9,52	9,52	12,7
<b>NET PRICE EUR</b>			<b>470</b>	<b>580</b>	<b>700</b>



# configuration table of **indoor units**

The table shows the possible options for connecting the indoor units of different power capacities to the individual outdoor units. The numbers in the table correspond to the power of the units expressed in thousands of BTU/h.

## K20C-18HFN32

1 UNIT	2 UNITS	
9	9+9	12+12
12	9+12	
18	9+18	

## K30E-27HFN32

1 UNIT	2 UNITS	3 UNITS		
9	9+9	12+12	9+9+9	9+12+12
12	9+12	12+18	9+9+12	9+12+18
18	9+18	18+18	9+9+18	12+12+12

## K40E-28HFN32

1 UNIT	2 UNITS	3 UNITS		4 UNITS	
9	9+9	12+12	9+9+9	9+12+12	9+9+9+9
12	9+12	12+18	9+9+12		9+9+9+12
18	9+18	18+18	9+9+18		
24	9+24	12+24	12+12+12		

## K40B-36HFN32

1 UNIT	2 UNITS		3 UNITS			4 UNITS	
9	9+9	18+18	9+9+9	9+18+18	24+9+9	9+9+9+9	9+12+12+18
12	9+12	12+24	9+9+12	9+12+24	24+9+12	9+9+9+12	12+12+12+12
18	9+18	24+9	9+9+18	12+12+12	24+12+12	9+9+9+18	
24	9+24	24+12	9+9+24	12+12+18		9+9+12+12	
	12+12	24+18	9+12+12	12+18+18		9+9+12+18	
	12+18	24+24	9+12+18	12+12+24		9+12+12+12	

## K50D-42HFN32

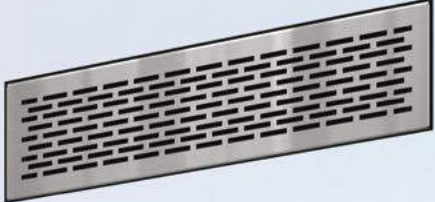
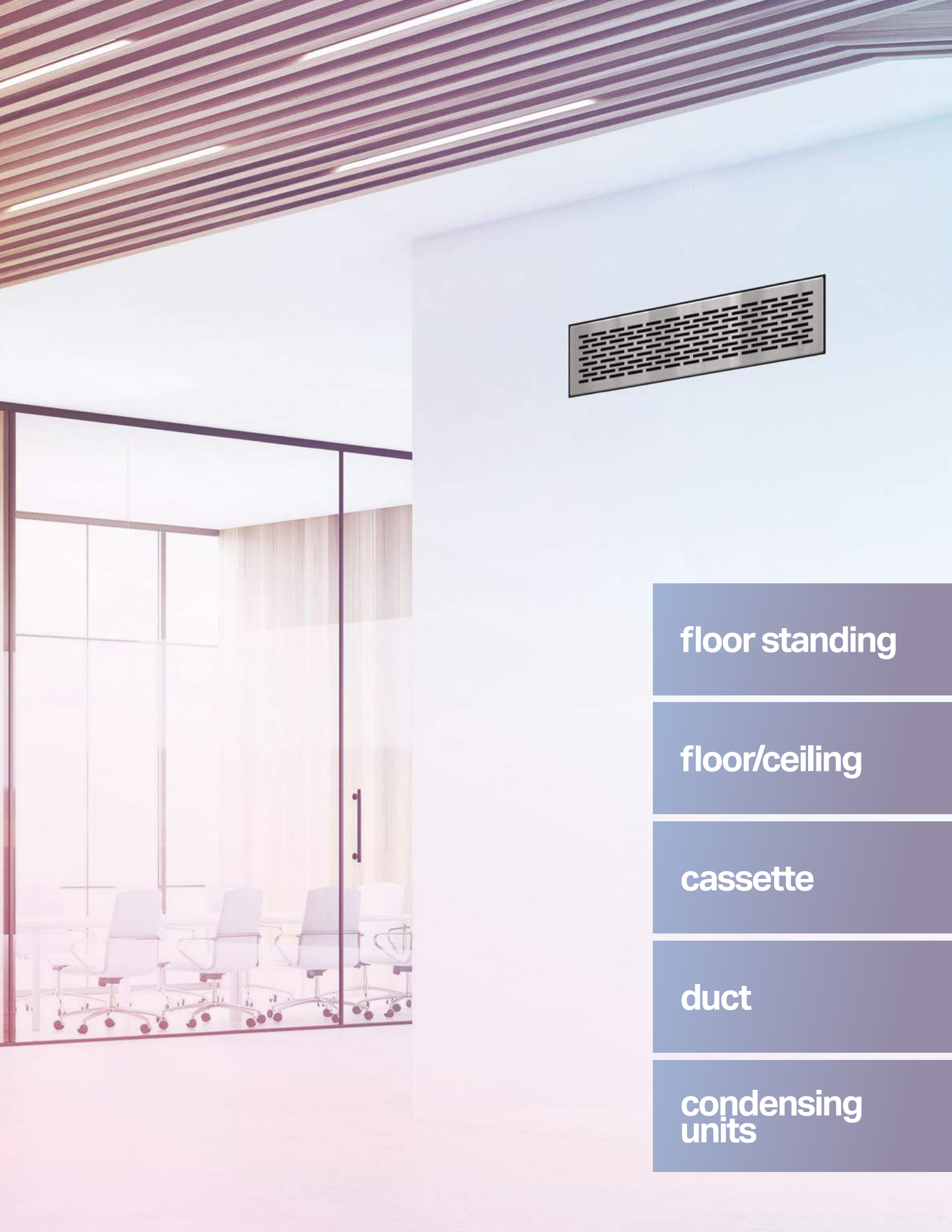
1 UNIT	2 UNITS			3 UNITS					
9	9+9	12+12	18+24	9+9+9	9+12+12	12+12+12	18+18+18		
12	9+12	12+18	24+24	9+9+12	9+12+18	12+12+18	24+9+18		
18	9+18	12+24		9+9+18	9+12+24	12+12+24	24+12+18		
24	9+24	18+18		9+9+24	9+18+18	12+18+18			
4 UNITS				5 UNITS					
9+9+9+9		9+9+12+18		9+12+12+18		9+9+9+9+9		9+9+9+12+18	
9+9+9+12		9+9+12+24		9+12+12+24		9+9+9+9+12		9+9+12+12+12	
9+9+9+18		9+9+18+18		12+12+12+12		9+9+9+9+18		9+12+12+12+12	
9+9+9+24		9+9+18+24		12+12+12+18		9+9+9+9+24			
9+9+12+12		9+12+12+12		12+12+12+24		9+9+9+12+12			



# commercial air conditioners

The air-conditioning systems for commercial applications combine efficiency with a wide range of solutions dedicated to offices, conference rooms, hotels, or other rooms requiring efficient air conditioning.

Depending on the area and purpose of the facility, as well as the installation possibilities, we can apply floor, floor/ceiling, cassette, duct, or condensing units.



**floor standing**

**floor/ceiling**

**cassette**

**duct**

**condensing units**



A+

R32

# kfs

## floor standing air conditioners

KFS-50HRFI



Floor standing conditioners are used in large areas, such as shops, showrooms, restaurants, and airport halls.

The KFS air conditioner is distinguished by its elegant and intuitive control panel, and functional wireless remote control combined with a temperature sensor, and its energy-saving technology, allowing the device to operate in the economy mode. Comfort of use is provided by the various practical functions of the air conditioner, such as 3D airflow for uniform temperature distribution in the room, and a temperature sensor built into the remote control, thanks to which the temperature measurement is made at the location of the user, and the operation of the air conditioner is adjusted to the actual conditions in the room. The appliance can be used in rooms with a total area of up to approx. 120-140 m<sup>2</sup>.



KFS-50HRFI

perfect solution  
for large air  
conditioning  
space



## UNIT FUNCTIONS



Wide range of temperatures



Indication of refrigerant leakage



Automatic restart



Sleep function



Timer



Cold air supply control



3D air flow



Operation at low outdoor temperature



Temperature sensor in remote control unit



Self-diagnosis



Automatic louver (swing)



Filter with silver ions



Filter with C vitamin



3M filter

## TECHNICAL SPECIFICATION

MODEL	jedn. wewn.		KFS-50HRFI
	jedn. zewn.		KFS-50HRFO
Capacity average (min÷max)	cooling	kW	14,1(5,0÷15,5)
	heating	kW	16,1(4,4÷18,5)
Energy class	cooling/heating		A++/A+
SEER	average	W/W	6,1
SCOP	average	W/W	4,0
Power input average (min÷max)	cooling	W	4950(1158÷5909)
	heating	W	5200(1022÷6200)
Operation current average (min÷max)	cooling	A	8,00(1,77÷9,97)
	heating	A	8,50(1,6÷10,54)
Air flow	indoor	m³/h	2413/2222/2027
	outdoor	m³/h	7500
Operating temperature cooling/heating	indoor	°C	17÷32/0÷30
	outdoor	°C	-15÷50/-15÷24
Sound pressure level	indoor	dB(A)	55/53/51,5
	outdoor	dB(A)	65
Net dimensions w/h/d	indoor	mm	629/1935/456
	outdoor	mm	952/1333/415
Transport dimensions w/h/d	indoor	mm	750/2055/575
	outdoor	mm	1095/1480/495
Net weight	indoor	kg	58,4
	outdoor	kg	106,7
Transport weight	indoor	kg	77,1
	outdoor	kg	119,9
Pipe diameter: liquid/gas		mm	9,52/15,9
Max. length of installation		m	65
Max. level difference		m	30
Power supply	indoor	V/Hz/Ph	220÷240/50/1
	outdoor	V/Hz/Ph	380÷420/50/3
Circuit breaker/fuse	outdoor	A	16
Power supply lines	indoor	# of wires x mm²	3x1,5
	outdoor	# of wires x mm²	5x2,5
Control lines	ind. outd.	# of wires x mm²	2x0,5 shielded
Factory amount of refrigerant	up to 5 rm	kg	2,8
Additional amount of refrigerant	over 5 rm	g/m	24
Ext. diameter of the condensate drain		mm	25
<b>NET PRICE EUR</b>			<b>4 065</b>

## ACCESSORIES AND CONTROLLERS



WIRELESS CONTROL UNIT  
**RG66A1(B2)**



WIRELESS CONTROL UNIT  
**RG66A1 (OPTION)**



WIRELESS CONTROL UNIT  
**RG57 (OPTION)**





A+

R32

# kue

## floor/ceiling air conditioner

KUE 18 | 24 | 36 | 48 | 55 HRB32



Universal air conditioners that are ideal for rooms without suspended ceilings.

They are characterized by a three-dimensional supply of air through the automatic control of the louvers, which ensures optimal air circulation and uniform temperature distribution. The timer gives the possibility to set the time of automatic switching on and off the air conditioner. To minimize the feeling of an unpleasant, cool airflow, the air conditioner starts in heating mode and automatically reduces the fan speed until the heat exchanger is heated.



KUE 18 | 24 | 36 | 48 | 55 HRB32

it will work effectively in office, as well as in house



## UNIT FUNCTIONS



Memory of louvers settings



Indication of refrigerant leakage



Automatic restart



Operation at low outdoor temperature.



Timer



Fresh air



Port on-off



3D air flow



Emergency use



Cold air supply control



Alarm port



Twin combination



Two-sided installation



Temperature sensor in remote control unit

OPTION



8°C heating function

OPTION



Built-in condensate pump

OPTION



Central controller

OPTION



Wi-Fi control

OPTION



Customized remote control unit

# TECHNICAL SPECIFICATION

MODEL			KUE-18HRB32X	KUE-24HRB32	KUE-36HRB32	KUE-36HRB32	KUE-48HRB32	KUE-55HRB32
			KOB30- -18HFN32X	KOCA30U- -24HFN32	KOD30U- -36HFJ32	KOD30U- -36HFN32	KOE30U- -48HFN32	KOE30U- -55HFN32
Capacity average (min+max)	cooling	kW	5,3(2,7÷5,6)	7,0(3,2÷8,3)	10,6(3,9÷12,0)	10,6(3,9÷12,0)	14,1(5,0÷15,1)	15,8(5,3÷17,0)
	heating	kW	5,6(2,4÷6,3)	7,6(2,7÷8,7)	11,1(2,8÷13,5)	11,1(2,8÷14,0)	16,1(3,8÷18,1)	18,2(4,4÷19,6)
Energy class	cooling/heating		A++/A+	A++/A+	A++/A+	A++/A+	A++/A+	A++/A+
SEER	average	W/W	6,1	6,1	6,1	6,1	6,1	6,1
SCOP	average	W/W	4,0	4,0	4,0	4,0	4,0	4,0
Power input average (min+max)	cooling	W	1633(670÷1850)	2190(480÷2930)	3800(875÷4500)	3750(870÷4500)	5500(1158÷6003)	6063(1227÷6496)
	heating	W	1500(540÷1640)	2050(500÷2850)	3040(730÷4550)	3000(730÷4885)	5050(1026÷6200)	6036(1022÷6546)
Operation current average (min+max)	cooling	A	7,2(3,2÷8,2)	10,0(2,1÷13,1)	16,7(4,1÷19,6)	5,8(1,2÷8,2)	9,1(1,8÷9,8)	10,5(1,9÷11,3)
	heating	A	6,6(2,7÷7,3)	9,5(2,2÷12,7)	14,0(2,8÷19,8)	4,8(1,2÷8,3)	8,14(1,6÷10,3)	9,9(1,6÷11,5)
Air flow	indoor	m³/h	902/786/677	1208/1066/853	2160/1844/1431	2160/1844/1431	2329/1930/1417	2454/1834/1426
	outdoor	m³/h	2000	2700	4000	4000	7500	7500
Operating temperature cooling/heating	indoor	°C	17÷32/0÷30	17÷32/0÷30	17÷32/0÷30	17÷32/0÷30	17÷32/0÷30	17÷32/0÷30
	outdoor	°C	-15+50/-15+24	-15+50/-15+24	-15+50/-15+24	-15+50/-15+24	-15+50/-15+24	-15+50/-15+24
Sound pressure level	indoor	dB(A)	41,5/38,5/34,5	50/46/41	51/47/42	51/47/42	54/50/46	54/47/42
	outdoor	dB(A)	55	62	65	64	66	66
Net dimensions w/h/d	indoor	mm	1068/675/235	1068/675/235	1650/675/235	1650/675/235	1650/675/235	1650/675/235
	outdoor	mm	800/554/333	845/702/363	946/810/410	946/810/410	952/1333/415	952/1333/415
Transport dimensions w/h/d	indoor	mm	1145/755/313	1145/755/313	1725/755/313	1725/755/313	1725/755/313	1725/755/313
	outdoor	mm	920/625/390	965/775/395	1090/885/500	1090/885/495	1095/1480/500	1095/1480/500
Net weight	indoor	kg	26,6	26,8	39,0	39,0	41,2	41,4
	outdoor	kg	33,7	49,4	66,8	81,5	106,7	111,3
Transport weight	indoor	kg	31,8	31,9	45,0	45,0	47,6	47,8
	outdoor	kg	36,6	52,8	73,4	87,0	119,9	124,3
Pipe diameter: liquid/gas		mm	6,35/12,7	9,52/15,9	9,52/15,9	9,52/15,9	9,52/15,9	9,52/15,9
Max. length of installation		m	30	50	65	65	65	65
Max. level difference		m	20	25	30	30	30	30
Power supply	indoor	V/Hz/Ph	220÷240/50/1	220÷240/50/1	220÷240/50/1	220÷240/50/1	220÷240/50/1	220÷240/50/1
	outdoor	V/Hz/Ph	220÷240/50/1	220÷240/50/1	220÷420/50/3	380÷420/50/3	380÷420/50/3	380÷420/50/3
Circuit breaker/fuse	outdoor	A	16	20	25	16	16	16
Power supply lines	indoor	# of wires	3x1,5	3x1,5	3x1,5	3x1,5	3x1,5	3x1,5
	outdoor	x mm²	3x2,5	3x2,5	3x4,0	5x2,5	5x2,5	5x2,5
Control lines	ind. outd.		4x1,5	2x0,5 shielded	2x0,5 shielded	2x0,5 shielded	2x0,5 shielded	2x0,5 shielded
Factory amount of refrigerant up to 5 m		kg	1,15	1,5	2,4	2,4	2,8	2,95
Additional amount of refrigerant over 5 m		g/m	12	24	24	24	24	24
Ext. diameter of the condensate drain		mm	25	25	25	25	25	25
<b>NET PRICE EUR</b>			<b>1 650</b>	<b>2 100</b>	<b>3 500</b>	<b>3 500</b>	<b>4 120</b>	<b>4 250</b>

KUE-xxHRB air conditioners are technically comparable to KUE-xxHRF, they differ in a wireless controller.

## ACCESSORIES AND CONTROLLERS



WIRELESS  
CONTROL UNIT  
**RG66A1**



WIRED  
CONTROLLER  
**KJR12B**  
(OPTION)



WIRED  
CONTROLLER  
**KJR-120X2**  
(OPTION)



CENTRAL  
CONTROLLER  
**CCM03**  
(OPTION)



A+

R32

# kca

## compact cassette air conditioners

KCA3U 12 | 18 HRB32X

Cassette air conditioners are perfect for offices, conference rooms or other large rooms that require efficient air conditioning.

Compact cassette air conditioners are equipped with an indoor unit with a quiet fan and a peripheral air supply. They are characterized by high efficiency and high comfort of use.

They have a function of supplying fresh air and the possibility of connecting an additional air supply duct to the adjacent room.





KCA3U 12 | 18 HRB32X

ideal solution  
for shops,  
offices and  
service  
premises



## UNIT FUNCTIONS



Memory of louvers settings



Indication of refrigerant leakage



Automatic restart



Emergency use



Operation at low outdoor temperature.



Fresh air



Port on-off



Alarm port



Cold air flow control



Temperature compensation



Self-diagnosis



Mono and multi



360° air flow



Built-in condensate pump



Temperature sensor in remote control unit

OPTION



8°C heating function

OPTION



Central controller

OPTION



Wi-Fi control

OPTION



Customized remote control unit

## TECHNICAL SPECIFICATION

MODEL	indoor unit		KCA3U-12HRB32X	KCA3U-18HRB32X
	outdoor unit		KOB30-12HFN32X	KOB30-18HFN32X
Capacity average (min÷max)	cooling	kW	3,5(1,52÷5,28)	5,3(2,9÷5,74)
	heating	kW	4,4(1,03÷5,57)	5,4(2,37÷6,10)
Energy class	cooling/heating		A++/A++	A++/A+
SEER	average	W/W	7,8	6,1
SCOP	average	W/W	4,6	4,0
Power input average (min÷max)	cooling	W	850(350÷1600)	1633(720÷1860)
	heating	W	1100(310÷1800)	1460(700÷1930)
Operation current average (min÷max)	cooling	A	3,8(1,6÷7,1)	7,2(3,2÷8,2)
	heating	A	5,0(1,4÷7,9)	6,4(3,1÷8,5)
Air flow	indoor	m³/h	617/504/416	720/625/540
	outdoor	m³/h	2000	2000
Operating temperature cooling/heating	indoor	°C	17÷32/0÷30	17÷32/0÷30
	outdoor	°C	-15÷50/-15÷24	-15÷50/-15÷24
Sound pressure level	indoor	dB(A)	41/36/33	42,5/39/35,5
	outdoor	dB(A)	55	55
Net dimensions w/h/d	indoor	mm	570/260/570	570/260/570
	outdoor	mm	800/554/333	800/554/333
	panel	mm	647/50/647	647/50/647
Transport dimensions w/h/d	indoor	mm	662/317/662	662/317/662
	outdoor	mm	920/615/390	920/615/390
	panel	mm	715/123/715	715/123/715
Net weight	indoor	kg	16/2,5	16/2,5
	outdoor	kg	34,7	33,7
Transport weight	indoor	kg	21,4/4,5	21,4/4,5
	outdoor	kg	37,5	36,6
Pipe diameter: liquid/gas		mm	6,35/9,52	6,35/12,7
Max. length of installation		m	25	30
Max. level difference		m	10	20
Power supply	indoor	V/Hz/Ph	220÷240/50/1	220÷240/50/1
	outdoor	V/Hz/Ph	220÷240/50/1	220÷240/50/1
Circuit breaker/fuse	outdoor	A	16	16
Power supply lines	indoor	# of wires x mm²	-	-
	outdoor	# of wires x mm²	3x2,5	3x2,5
Control lines	indoor-outdoor	# of wires x mm²	5x1,5	4x1,5
Factory amount of refrigerant	up to 5 rm	kg	0,87	1,15
Additional amount of refrigerant	over 5 rm	g/m	12	12
Ext. diameter of the condensate drain		mm	25	25
<b>NET PRICE EUR</b>			<b>1 480</b>	<b>1 760</b>

KCA3U-xxHRB air conditioners are technically comparable to KCA3U-xxHRF, they differ in a wireless controller.

## ACCESSORIES AND CONTROLLERS



WIRELESS  
CONTROL UNIT  
**RG66A1**



WIRED  
CONTROLLER  
**KJR12B**  
(OPTION)



WIRED  
CONTROLLER  
**KJR-120X2**  
(OPTION)



CENTRAL  
CONTROLLER  
**CCM03**  
(OPTION)





A+

R32

# kcd

## super slim cassette air conditioners

KCD 24 | 36 | 48 | 55 HRB32

Universal air conditioners, which are ideal for use in rooms with suspended ceilings with particularly low technical space.

Cassette air conditioners are equipped with additional supply air gaps in the panel. Thanks to this design, the 360° fan operation can provide even better air distribution in an air-conditioned room.

Super Slim cassette units can work in Twin system, making it easier to maintain uniform temperature in the room.





Comfort and modern design for office or shop



### UNIT FUNCTIONS



Memory of louvers settings



Indication of refrigerant leakage



Automatic restart



Emergency use



Operation at low outdoor temperature



Fresh air



Port on-off



Alarm port



Cold air flow control



Temperature compensation



Self-diagnosis



Mono and multi



360° air flow



Built-in condensate pump



Temperature sensor in remote control unit

OPTION



8°C heating function

OPTION



Central controller

OPTION



Wi-Fi control

OPTION



Customized remote control unit

# TECHNICAL SPECIFICATION

MODEL	indoor unit		KCD-24HRB32	KCD-36HRB32	KCD-36HRB32	KCD-48HRB32	KCD-55HRB32
	outdoor unit		KOCA30U-24HFN32	KOD30U-36HFJ32	KOD30U-36HFN32	KOE30U-48HFN32	KOE30U-55HFN32
Capacity average (min÷max)	cooling	kW	7,0(3,2÷8,2)	10,6(4,0÷12,0)	10,6(4,0÷12,0)	14,0(4,8÷14,6)	15,5(5,3÷16,7)
	heating	kW	7,6(2,4÷8,6)	11,1(2,9÷13,5)	11,1(2,9÷14,1)	16,1(3,9÷16,8)	18,2(4,4÷19,3)
Energy class	cooling/heating		A++/A+	A++/A+	A++/A+	A++/A+	A++/A+
SEER	average	W/W	6,1	6,1	6,1	6,1	6,1
SCOP	average	W/W	4,0	4,0	4,0	4,0	4,0
Power input average (min÷max)	cooling	W	2190(480÷2850)	3750(890÷4500)	3950(890÷4500)	5130(1174÷5602)	5951(1147÷6682)
	heating	W	2050(500÷2880)	2993(720÷4450)	3000(720÷4750)	5050(987÷5378)	6036(1022÷6448)
Operation current average (min÷max)	cooling	A	9,5(2,1÷12,4)	16,3(3,9÷19,6)	6,6(3,9÷8,2)	8,3(1,8÷9,3)	9,8(1,8÷11,6)
	heating	A	8,9(2,2÷12,5)	13,0(3,2÷19,4)	5,0(3,2÷8,3)	8,2(1,6÷8,8)	9,9(1,6÷11,2)
Air flow	indoor	m³/h	1378/1200/1032	1775/1620/1438	1775/1620/1438	1715/1568/1381	1970/1737/1537
	outdoor	m³/h	2700	4000	4000	7500	7500
Operating temperature cooling/heating	indoor	°C	17÷32/0÷30	17÷32/0÷30	17÷32/0÷30	17÷32/0÷30	17÷32/0÷30
	outdoor	°C	-15÷50/-15÷24	-15÷50/-15÷24	-15÷50/-15÷24	-15÷50/-15÷24	-15÷50/-15÷24
Sound pressure level	indoor	dB(A)	47/43/40	52/49/46	52/49/46	52/50/49	53/50/48
	outdoor	dB(A)	62	65	64	66	66
Net dimensions w/h/d	indoor	mm	840/245/840	840/245/840	840/245/840	840/287/840	840/287/840
	outdoor	mm	950/55/950	950/55/950	950/55/950	950/55/950	950/55/950
	panel	mm	845/702/363	946/810/410	946/810/410	952/1333/415	952/1333/415
Transport dimensions w/h/d	indoor	mm	900/265/900	900/265/900	900/265/900	900/292/900	900/292/900
	outdoor	mm	1035/90/1035	1035/90/1035	1035/90/1035	1035/90/1035	1035/90/1035
	panel	mm	965/775/395	1090/885/500	1090/885/495	1095/1480/500	1095/1480/500
Net weight	indoor	kg	23/5	27,5/ 5	27,5/ 5	29/5	29,7 /5
	outdoor	kg	49,4	66,8	81,5	106,7	111,3
Transport weight	indoor	kg	27/8	31/8	31/8	32,7 /8	33,4 / 8
	outdoor	kg	52,8	73,4	87,0	119,9	124,3
Pipe diameter: liquid/gas	mm		9,52/15,9	9,52/15,9	9,52/15,9	9,52/15,9	9,52/15,9
Max. length of installation	m		50	65	65	65	65
Max. level difference	m		25	30	30	30	30
Power supply	indoor	V/Hz/Ph	220÷240/50/1	220÷240/50/1	220÷240/50/1	220÷240/50/1	220÷240/50/1
	outdoor	V/Hz/Ph	220÷240/50/1	220÷240/50/1	380÷420/50/3	380÷420/50/3	380÷420/50/3
Circuit breaker/fuse	outdoor		A	20	25	16	16
Power supply lines	indoor	# of wires x mm²	3x1,5	3x1,5	3x1,5	3x1,5	3x1,5
	outdoor		3x2,5	3x4,0	5x2,5	5x2,5	5x2,5
Control lines	indoor outdoor		2x0,5 shielded	2x0,5 shielded	2x0,5 shielded	2x0,5shielded	2x0,5 shielded
Factory amount of refrigerant up to 5 m	kg		1,5	2,4	2,4	2,8	2,95
Additional amount of refrigerant over 5 m	g/m		24	24	24	24	24
Ext. diameter of the condensate drain	mm		32	32	32	32	32
<b>NET PRICE EUR</b>			<b>2 200</b>	<b>3 520</b>	<b>3 520</b>	<b>3 950</b>	<b>4 300</b>

KCD-xxHRB air conditioners are technically comparable to KCD-xxHRF, they differ in a wireless controller.

## ACCESSORIES AND CONTROLLERS



WIRELESS CONTROL UNIT  
**RG66A1**



WIRED CONTROLLER  
**KJR12B (OPTION)**



WIRED CONTROLLER  
**KJR-120X2 (OPTION)**



CENTRAL CONTROLLER  
**CCM03 (OPTION)**



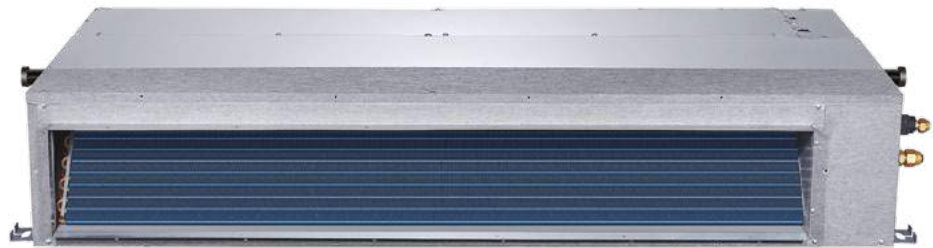
A+

R32

**k**ti

# slim duct air conditioners

KTI 18 | 24 | 36 | 48 | 55 HWB32

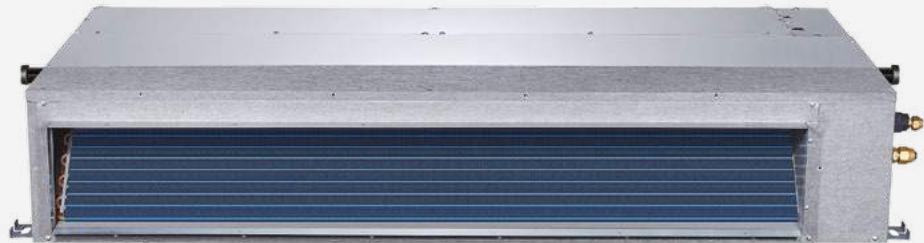


Duct air conditioners are suitable for use in large objects. Their advantage is the ability to distribute air freely through ducts and diffusers in the entire room.

The Slim series of duct air conditioners is characterized by a significant available static pressure – 160 Pa with low noise level. The unit has a lower height than a standard duct unit, so that it can be installed in a small space in the suspended ceiling.

Thanks to the use of modern technology, the air conditioner automatically adjusts the static pressure and maintains a constant flow of air.

efficient  
and discrete  
unit for home  
and office



## UNIT FUNCTIONS



Two-sided  
installation



Indication of  
refrigerant  
leakage



Automatic  
restart



Emergency  
use



Operation  
at low outdoor  
temperature.



Fresh air



Port on-off



Alarm port



Cold air flow  
control



Temperature  
compensation



Self-  
diagnosis



Twin  
combination



Timer



Built-in  
condensate  
pump



Temperature  
sensor in  
remote  
control unit

OPTION



Central  
controller

OPTION



Wi-Fi  
control

OPTION



Customized  
remote control  
unit

# TECHNICAL SPECIFICATION

MODEL	indoor unit		KTI-18HWP32X	KTI-24HWP32	KTI-36HWP32	KTI-36HWP32	KTI-48HWP32	KTI-55HWP32
	outdoor unit		KOB30- -18HFN32X	KOCA30U- -24HFN32	KOD30U- -36HFJ32	KOD30U- -36HFN32	KOE30U- -48HFN32	KOE30U- -55HFN32
Capacity average (min÷max)	cooling	kW	5,3(2,6÷5,7)	7,0(3,3÷8,2)	10,6(4,0÷12,0)	10,6(4,0÷12,0)	14,1(4,3÷15,2)	15,2(5,9÷17,3)
	heating	kW	5,6(2,2÷6,2)	7,6(2,7÷8,7)	11,1(2,8÷13,2)	11,1(2,8÷13,2)	16,1(3,7÷18,0)	18,2(4,7÷20,5)
Energy class	cooling/heating		A++/A+	A++/A+	A++/A+	A++/A+	A++/A+	A++/A+
SEER	average	W/W	6,1	6,1	6,1	6,1	6,1	6,1
SCOP	average	W/W	4,0	4,0	4,0	4,0	4,0	4,0
Power input average (min÷max)	cooling	W	1633(710÷1900)	2190(480÷2850)	4000(902÷4900)	4100(890÷4890)	5150(1170÷5699)	5423(1274÷6651)
	heating	W	1580(740÷1760)	2050(500÷2880)	3100(800÷4640)	3000(780÷4665)	4280(948÷5824)	5329(1042÷6034)
Operation current average (min÷max)	cooling	A	7,2(3,2÷8,3)	9,5(2,1÷12,4)	17,5(4,2÷19,6)	6,5(1,4÷8,2)	8,3(1,8÷9,4)	8,9(2,0÷11,6)
	heating	A	7,0(3,3÷7,7)	8,9(2,2÷12,5)	12,9(3,6÷18,4)	4,7(1,3÷7,4)	6,8(1,5÷9,2)	8,8(1,6÷10,5)
Air flow	indoor	m³/h	880/650/350	1248/1054/839	1400/1150/750	1400/1150/750	2400/2040/1680	2600/2210/1820
	outdoor	m³/h	2000	2700	4000	4000	7500	7500
Available static pressure		Pa	25/100	25/160	37/160	37/160	50/160	50/160
Operating temp. cooling/heating	indoor	°C	17÷32/0÷30	17÷32/0÷30	17÷32/0÷30	17÷32/0÷30	17÷32/0÷30	17÷32/0÷30
	outdoor	°C	-15÷50/-15÷24	-15÷50/-15÷24	-15÷50/-15÷24	-15÷50/-15÷24	-15÷50/-15÷24	-15÷50/-15÷24
Static pressure level	indoor	dB(A)	41,5/38/33	42/40/38	47/43/40	47/43/40	51/50/48	54/52/51
	outdoor	dB(A)	55	62	65	64	66	66
Net dimensions w/h/d	indoor	mm	880/210/674	1100/249/774	1360/249/774	1360/249/774	1200/300/874	1200/300/874
	outdoor	mm	800/554/333	845/702/363	946/810/410	946/810/410	952/1333/415	952/1333/415
Transport dimensions w/h/d	indoor	mm	1070/280/725	1305/305/805	1570/305/805	1570/305/805	1405/355/915	1405/355/915
	outdoor	mm	920/625/390	965/775/395	1090/885/500	1090/885/495	1095/1480/500	1095/1480/500
Net weight	indoor	kg	24,3	31,5	40,5	40,5	47,6	47,6
	outdoor	kg	33,7	49,4	66,8	81,5	106,7	111,3
Transport weight	indoor	kg	29,6	38,9	48,5	48,5	55,8	55,8
	outdoor	kg	36,6	52,8	73,4	87,0	119,9	124,3
Pipe diameter: liquid/gas		mm	6,35/12,7	9,52/15,9	9,52/15,9	9,52/15,9	9,52/15,9	9,52/15,9
Max. length of installation		m	30	50	65	65	65	65
Max. level difference		m	20	25	30	30	30	30
Power supply	indoor	V/Hz/Ph	220÷240/50/1	220÷240/50/1	220÷240/50/1	220÷240/50/1	220÷240/50/1	220÷240/50/1
	outdoor	V/Hz/Ph	220÷240/50/1	220÷240/50/1	220÷240/50/1	380÷420/50/3	380÷420/50/3	380÷420/50/3
Circuit breaker/fuse	outdoor	A	16	20	25	16	16	16
Power supply lines	indoor		3x1,5	3x1,5	3x1,5	3x1,5	3x1,5	3x1,5
	outdoor	# of wires x mm²	3x2,5	3x2,5	3x4,0	5x2,5	5x2,5	5x2,5
Control lines	ind. outd.		4x1,5	2x0,5 shielded	2x0,5 shielded	2x0,5 shielded	2x0,5 shielded	2x0,5 shielded
Factory amount of refrigerant up to 5 m		kg	1,15	1,5	2,4	2,4	2,8	2,95
Additional amount of refrigerant over 5 m		g/m	12	24	24	24	24	24
Ext. diameter of the condensate drain		mm	25	25	25	25	25	25
<b>NET PRICE EUR</b>			<b>1 690</b>	<b>2 150</b>	<b>3 550</b>	<b>3 550</b>	<b>4 150</b>	<b>4 400</b>

KTI-xxHWP air conditioners are technically comparable to KTI-xxHWF, they differ in wired controller.

## ACCESSORIES AND CONTROLLERS



WIRED  
CONTROLLER  
**KJR-120X2**



WIRELESS  
CONTROL UNIT  
**RG57**  
(OPTION)



WIRED  
CONTROLLER  
**KJR12B**  
(OPTION)



CENTRAL  
CONTROLLER  
**CCM03**  
(OPTION)





# condensing units

KOB30U 12 | 18 HFN32X • KOCA30U 24 HFN32  
KOD30U 36 HFN32 • KOD30U 36 HFJ32  
KOE30U 48 | 55 HFN32



Inverter condensing units are equipped with a control module that enables the connection of a universal outdoor unit to a freon heat exchanger in the air handling unit.

Such solution makes it possible to control the efficiency of the condensing unit by means of a 0-10V DC signal sent from the air handling unit control system. Both cooling and heating operation are possible. The units have built-in expansion valves, so that no additional refrigeration fittings are needed.

**Kaisai condensing units may only be used with AHUs equipped with protection devices suitable for R32 flammability characteristic.**



KOB30U 12 | 18 HFN32X • KOCA30U 24 HFN32 • KOD30U 36 HFN32  
KOD30U 36 HFJ32 • KOE30U 48 | 55 HFN32



# condensing units

## TECHNICAL SPECIFICATION

MODEL			KOB30-12HFN32X	KOB30-18HFN32X	KOCA30U-24HFN32
Capacity average (min÷max)	cooling	kW	3,5(1,5÷5,3)	5,3(2,7÷5,6)	7,0(3,2÷8,3)
	heating	kW	4,4(1,0÷5,6)	5,6(2,4÷6,3)	7,6(2,7÷8,7)
Energy class	cooling/heating		A++/A++	A++/A+	A++/A+
SEER	average	W/W	7,8	6,1	6,1
SCOP	average	W/W	4,6	4,0	4,0
Power input average (min÷max)	cooling	W	850(350÷1600)	1633(670÷1850)	2190(480÷2930)
	heating	W	1100(310÷1800)	1500(540÷1640)	2050(500÷2850)
Operation current average (min÷max)	cooling	A	3,8(1,6÷7,1)	7,2(3,2÷8,2)	10,0(2,1÷13,1)
	heating	A	5,0(1,4÷7,9)	6,6(2,7÷7,3)	9,5(2,2÷12,7)
Air flow		m <sup>3</sup> /h	2000	2000	2700
Operating temperature	cooling/heating	°C	-15÷50/-15÷24	-15÷50/-15÷24	-15÷50/-15÷24
Sound pressure level		dB(A)	55	55	62
Net dimensions w/h/d		mm	800/554/333	800/554/333	845/702/363
Transport dimensions w/h/d		mm	920/625/390	920/625/390	965/775/395
Net weight		kg	34,7	33,7	49,4
Transport weight		kg	37,5	36,6	52,8
Pipe diameter: liquid/gas		mm	6,35/9,52	6,35/12,7	9,52/15,9
Total length of installation		m	25	30	50
Max. level difference		m	10	20	25
Power supply		V/Hz/Ph	220÷240/50/1	220÷240/50/1	220÷240/50/1
Circuit breaker/fuse		A	10	16	20
Power supply lines		# of wires x mm <sup>2</sup>	3x2,5	3x2,5	3x2,5
Factory amount of refrigerant	< 5 rm	kg	0,87	1,15	1,5
Additional amount of refrigerant	> 5 rm	g/m	12	12	24
<b>NET PRICE EUR (WITH KMS MODULE)</b>			<b>1 500</b>	<b>1 700</b>	<b>2 100</b>

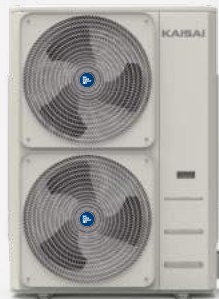
# TECHNICAL SPECIFICATION

MODEL			KOD30U-36HFJ32	KOD30U-36HFN32	KOE30U-48HFN32	KOE30U-55HFN32
Capacity average (min÷max)	cooling	kW	10,6(3,9÷12,0)	10,6(3,9÷12,0)	14,1(5,0÷15,1)	15,8(5,3÷17,0)
	heating	kW	11,1(2,8÷13,5)	11,1(2,8÷14,0)	16,1(3,8÷18,1)	18,2(4,4÷19,6)
Energy class	cooling/heating		A++/A+	A++/A+	A+/A+	A+/A+
SEER	average	W/W	6,1	6,1	6,1	6,1
SCOP	average	W/W	4,0	4,0	4,0	4,0
Power input average (min÷max)	cooling	W	3800(875÷4500)	3750(870÷4500)	5500(1158÷6003)	6063(1227÷6496)
	heating	W	3040(730÷4550)	3000(730÷4885)	5050(1026÷6200)	6036(1022÷6546)
Operation current average (min÷max)	cooling	A	16,7(4,1÷19,6)	5,8(1,2÷8,2)	9,1(1,8÷9,8)	10,5(1,9÷11,3)
	heating	A	14,0(2,8÷19,8)	4,8(1,2÷8,3)	8,14(1,6÷10,3)	9,9(1,6÷11,5)
Air flow		m³/h	4000	4000	7500	7500
Operating temperature	cooling/heating	°C	-15÷50/-15÷24	-15÷50/-15÷24	-15÷50/-15÷24	-15÷50/-15÷24
Sound pressure level		dB(A)	65	64	66	66
Net dimensions w/h/d		mm	946/810/410	946/810/410	952/1333/415	952/1333/415
Transport dimensions w/h/d		mm	1090/885/500	1090/885/495	1095/1480/500	1095/1480/500
Net weight		kg	66,8	81,5	106,7	111,3
Transport weight		kg	73,4	87,0	119,9	124,3
Pipe diameter: liquid/gas		mm	9,52/15,9	9,52/15,9	9,52/15,9	9,52/15,9
Total length of installation		m	65	65	65	65
Max. level difference		m	30	30	30	30
Power supply		V/Hz/Ph	220÷240/50/1	380÷420/50/3	380÷420/50/3	380÷420/50/3
Circuit breaker/fuse		A	25	16	16	16
Power supply lines		# of wires x mm²	3x4,0	5x2,5	5x2,5	5x2,5
Factory amount of refrigerant	up to 5 rm	kg	2,4	2,4	2,8	2,95
Additional amount of refrigerant	over 5 rm	g/m	24	24	24	24
<b>NET PRICE EUR (WITH KMS MODULE)</b>			<b>2 700</b>	<b>2 700</b>	<b>3 100</b>	<b>3 400</b>

# TECHNICAL SPECIFICATION



KOB30 12 I 18 HFN32X  
KOCA30U 24 HFN32  
KOD30U 36HFJ32  
KOD30U 36 HFN32



KOE30U 48 I 55 HFN32



Control modules  
KMS-8243\* & KMS-8140\*\*

\* for: KOCA30U 24 HFN32, KOD30U 36HFJ32, KOD30U 36 HFN32, KOE30U 48 I 55 HFN32 units \*\* for: KOB30-12 I 18 HFN32X units



# portable air conditioners

Portable air conditioners are perfect for all applications where there is a need to change location or where stationary air-conditioning is not possible.

The 2.6 kW KPC air conditioner has cooling, drying and evaporation functions. It is a perfect solution for rooms with low heat loads, with an area of up to approx. 20 m<sup>2</sup>. The KPPD model with a cooling capacity of 3.5 kW has an additional heating function and can also be used in larger rooms up to approx. 30 m<sup>2</sup>.



kpph

kpc

kppd



# portable air conditioners

Portable air conditioners are perfect for all applications where there is a need to change location or where stationary air-conditioning is not possible.

The 2.6 kW KPC air conditioner has cooling, drying and evaporation functions. It is a perfect solution for rooms with low heat loads, with an area of up to approx. 20 m<sup>2</sup>. The KPPD model with a cooling capacity of 3.5 kW has an additional heating function and can also be used in larger rooms up to approx. 30 m<sup>2</sup>.



**Efficient heating:** Thanks to its heating function, the KPPD air conditioner is an excellent alternative to traditional electric heating systems, as it provides efficient heating with much lower energy consumption. Thanks to the fan forced air circulation in the room, the desired temperature is reached much faster.

**Comfortable sleep:** After starting the sleep function, the device will increase (in heating mode) the set temperature by 1°C per hour within 2 hours and the fan will operate at low speed.

**Fireproof casing:** For the safety of the user, the sealed metal housing of the electrical unit is used to prevent fire in the event of an electrical short circuit.

# kpph

The KPPH air conditioner has 3 basic operating modes: cooling, dehumidification and ventilation. Warm air is extracted to the outside through a flexible ventilation pipe.

A

R290



## TECHNICAL SPECIFICATION

MODEL		KPPH-09HRN29	
Capacity	cooling	kW	2,6
	heating	kW	-
Energy class	cooling/heating		A
EER	average	W/W	2,6
COP			-
Power input	cooling	W	1000
	heating	W	-
Operation current	cooling	A	4,3
	heating	A	-
Air flow		m <sup>3</sup> /h	295/195
Operating temperature		°C	17÷35
Sound pressure level		dB(A)	51,9/46,9
Net dimensions w/h/d		mm	355/703/345
Transport dimensions w/h/d		mm	400/880/390
Net weight		kg	25,3
Transport weight		kg	28,1
Electric power supply		V/Hz/Ph	220÷240/50/1
Amount of refrigerant		kg	0,17
Amount of removed moisture		l/h	2,12
<b>NET PRICE EUR</b>		<b>485</b>	



## ACCESSORIES



WIRELESS  
CONTROL UNIT  
**RG51**



KPPH-09HRN29 • KPC-09AK29 • KPPD-12HRN29

# kpc

The KPC air conditioner has 3 basic operating modes: cooling, dehumidification and ventilation. Thanks to the condensate evaporation function it is not necessary to use a large condensate tank.

A

R290



## TECHNICAL SPECIFICATION

MODEL		KPC-09AK29	
Capacity	cooling	kW	2,6
	heating	kW	-
Energy class	cooling/heating		A
EER	average	W/W	2,6
COP			-
Power input	cooling	W	1000
	heating	W	-
Operation current	cooling	A	4,4
	heating	A	-
Air flow		m <sup>3</sup> /h	320/290/260
Operating temperature		°C	18÷35
Sound pressure level		dB(A)	53/51/49
Net dimensions w/h/d		mm	315/770/395
Transport dimensions w/h/d		mm	463/881/358
Net weight		kg	27,0
Transport weight		kg	31,0
Electric power supply		V/Hz/Ph	220÷240/50/1
Refrigerant			R290
Amount of refrigerant		kg	0,22
Amount of removed moisture		l/h	1,43
<b>NET PRICE EUR</b>		<b>500</b>	



## ACCESSORIES



WIRELESS  
CONTROL UNIT  
**YX1F**



# kppd

KPPD air conditioner has 4 basic operating modes: cooling, dehumidification, heating and ventilation. Controlling the operation of the air conditioner is facilitated by a wireless remote control as standard equipment.

**A/A+**

**R290**



## TECHNICAL SPECIFICATION

MODEL		KPPD-12HRN29	
Capacity	cooling	kW	3,5
	heating	kW	2,9
Energy class	cooling/heating		A/A+
EER	average	W/W	2,6
COP			2,8
Power input	cooling	W	1350
	heating	W	1045
Operation current	cooling	A	5,9
	heating	A	5,0
Air flow		m <sup>3</sup> /h	420/370/355
Operating temperature		°C	17÷35
Sound pressure level		dB(A)	54,5/54,3/54,0
Net dimensions w/h/d		mm	467/765/397
Transport dimensions w/h/d		mm	515/880/440
Net weight		kg	34,4
Transport weight		kg	37,8
Electric power supply		V/Hz/Ph	220÷240/50/1
Refrigerant			R290
Amount of refrigerant		kg	0,23
Amount of removed moisture		l/h	3,25
<b>NET PRICE EUR</b>		<b>687</b>	



## ACCESSORIES



WIRELESS  
CONTROL UNIT  
**RG51**



# air curtains

Small but functional devices, which allow you to save energy by maintaining a constant temperature and avoiding unpleasant draughts inside the building. Easy to install and use, they provide effective protection against cold air and dirt from outside.

Kaisai air curtains are a guarantee of economy and comfort. Easy remote control, adjustable airflow and an attractive, modern design make the devices a perfect fit in the interior design. The air curtains will discreetly and effectively improve the comfort of customers at the point of sale, while taking care to save energy and eliminate heat loss in the room.

Modern and elegant Kaisai air curtains are perfect for public buildings. Offices, restaurants, cafés, shops and storage areas are places where doors are repeatedly opened and closed during the day, causing heat loss or overheating. In turn, for cafés and restaurants protection against dust and insects will provide even greater comfort of work and use of the premises.



silver

gold

platinum new



AG 100 H6 | AG 150 H10 | AG 200 H14 · AG 100 | 150 | 200 CX

# silver

economic  
and smart  
installation

---



The Silver air curtain is a reliable unit with a compact design and quiet operation. Easy to install and operate, the air curtain comes in three sizes, with or without electric heater.

## TECHNICAL SPECIFICATION

<b>SILVER MODEL WITH HEATER</b>			<b>AG-100H6</b>	<b>AG-150H10</b>	<b>AG-200H14</b>
Voltage/frequency		V~/Hz	400/50	400/50	400/50
Motor power		W	180	230	350
Heater output		kW	6,0	10,0	14,0
Air flow	min	m/s	6,5	6,5	6,5
	max	m/s	6,5	6,5	6,5
Air flow	min	m³/h	1100	1400	2100
	max	m³/h	1300	1900	2600
Noise level	min	dB	56	57	59
	max	dB	58	59	61
Net weight		kg	15,5	21	25
Net dimensions w/d/h		mm	1000/180/215	1500/180/215	2000/180/215
<b>NET PRICE EUR</b>			<b>365</b>	<b>485</b>	<b>750</b>

<b>SILVER MODEL WITHOUT HEATER</b>			<b>AG-100CX</b>	<b>AG-150CX</b>	<b>AG-200CX</b>
Voltage/frequency		V~/Hz	230/50	230/50	230/50
Motor power		W	180	230	350
Air flow	min	m/s	9	9	9
	max	m/s	11	11	11
Air flow	min	m³/h	1100	2000	2900
	max	m³/h	1400	2500	3600
Noise level	min	dB	56	57	59
	max	dB	58	59	61
Net weight		kg	12	15	22
Net dimensions w/d/h		mm	1000/180/215	1500/180/215	2000/180/215
<b>NET PRICE EUR</b>			<b>203</b>	<b>282</b>	<b>375</b>

## ACCESSORIES AND CONTROLLERS



WIRELESS  
CONTROL UNIT  
**RCAC-1**

Controller dedicated for Silver and Gold air curtains.  
Basic functions: Turning ON/OFF| Fan speed | Operating mode

AU 100 H3,5 | AU 100 H6 | AU 120 H8 | AU 150 H10  
AU 200 H14 | AU 100 | 150 | 200 CX

# gold

solution  
for shops,  
offices and  
service  
premises

---



The Gold air curtain is a device which is characterized by a strong air stream. Easy to install and operate, the air curtain comes in four sizes with electric heater and three sizes without heater.

## TECHNICAL SPECIFICATION

<b>GOLD MODEL WITH HEATER</b>			<b>AU-100H3,5</b>	<b>AU-100H6</b>	<b>AU-120H8</b>	<b>AU-150H10</b>	<b>AU-200H14</b>
Voltage/frequency	V~/Hz		230/50	400/50	400/50	400/50	400/50
Motor power	W		180	180	200	230	350
Heater output	I	kW	1,75	2,0	2,7	3,3	4,6
	II	kW	3,5	4,0	5,3	6,7	9,4
	III	kW	-	6	8	10	14
Air flow	min	m/s	8,5	8,5	8,5	8,5	8,5
	max	m/s	9,5	9,5	9,5	9,5	9,5
Air flow	min	m³/h	1100	1100	1500	1900	2800
	max	m³/h	1330	1330	1700	2200	3100
Noise level	min	dB	56	56	56	57	59
	max	dB	57	57	58	59	61
Net weight	kg		14,5	14,5	16,0	18,5	26,5
Net dimensions w/d/h	mm		1000/190/260	1000/190/260	1200/190/260	1500/190/260	2000/190/260
<b>NET PRICE EUR</b>			<b>360</b>	<b>406</b>	<b>447</b>	<b>531</b>	<b>735</b>

<b>GOLD MODEL WITHOUT HEATER</b>			<b>AU-100CX</b>	<b>AU-150CX</b>	<b>AU-200CX</b>
Voltage/frequency	V~/Hz		230/50	230/50	230/50
Motor power	W		180	230	350
Air flow	min	m/s	9	9	9
	max	m/s	11	11	11
Air flow	min	m³/h	1300	2000	2900
	max	m³/h	1600	2500	3600
Noise level	min	dB	55	57	59
	max	dB	57	59	61
Net weight	kg		10	15	20
Net dimensions w/d/h	mm		1000/190/260	1500/190/260	2000/190/260
<b>NET PRICE EUR</b>			<b>235</b>	<b>328</b>	<b>437</b>

## ACCESSORIES AND CONTROLLERS



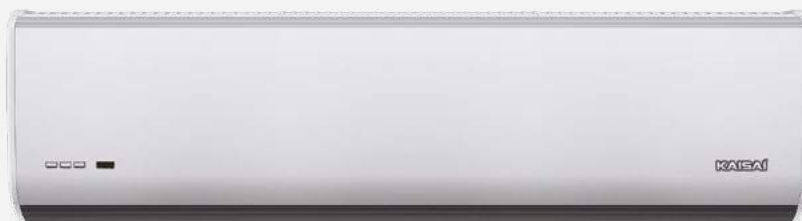
WIRELESS  
CONTROL UNIT  
**RCAC-1**

Controller dedicated for Silver and Gold air curtains.  
Basic functions: Turning ON/OFF| Fan speed | Operating mode

# platinum new

modern  
design and high  
performance  
for demanding  
customers

---



The latest elegant version of the Platinum New air curtain can be mounted at a maximum height of 4 m above the floor. The device has a AC motor and an adjustable air stream. The air curtains are available in 3 different sizes with or without a heater. They also offer the possibility to connect a door limit switch to control the operation of the curtain.



## TECHNICAL SPECIFICATION

<b>PLATINUM NEW MODEL WITH HEATER</b>			<b>PTN-090H8</b>	<b>PTN-120H10</b>	<b>PTN-150H12</b>
Voltage/frequency	V~/Hz		400/50	400/50	400/50
Motor power	W		260	380	490
Heater output	I	kW	2,5	3,5	4,0
	II	kW	5,5	7,0	8,0
	III	kW	8	10	12
Air flow	min	m/s	9	9	9
	max	m/s	11	11	11
Air flow	min	m³/h	1300	1950	2550
	max	m³/h	1600	2400	3150
Noise level	min	dB	59	60	61
	max	dB	61	62	63
Net weight	kg		15,5	19	22,5
Net dimensions w/d/h	mm		900/218/247	1200/218/247	1500/218/247
<b>NET PRICE EUR</b>			<b>435</b>	<b>531</b>	<b>656</b>

<b>PLATINUM NEW MODEL WITHOUT HEATER</b>			<b>PTN-090CX</b>	<b>PTN-120CX</b>	<b>PTN-150CX</b>
Voltage/frequency	V~/Hz		230/50	230/50	230/50
Motor power	W		160	200	230
Air flow	min	m/s	9	9	9
	max	m/s	11	11	11
Air flow	min	m³/h	1300	1950	2550
	max	m³/h	1600	2400	3150
Noise level	min	dB	53	54	55
	max	dB	55	56	57
Net weight	kg		12,5	15,5	18
Net dimensions w/d/h	mm		900/218/247	1200/218/247	1500/218/247
<b>NET PRICE EUR</b>			<b>280</b>	<b>312</b>	<b>375</b>

## ACCESSORIES AND CONTROLLERS



WIRELESS  
CONTROL UNIT  
**RCAC-2**

The controller dedicated exclusively for Platinum New air curtains.  
Basic functions: Turning ON/OFF | Fan speed | Operating mode



# eco home heat pumps

A heat pump uses free air energy and uses it to heat or cool a building or to produce domestic hot water. It is a cheap, ecological and reliable source of heat, which can be used by everyone.

Thanks to modern technology, the Kaisai heat pumps operate in a very wide range of outdoor temperatures and achieve high temperatures in the heating system or in domestic hot water applications. The absence of harmful emissions, safety and maintenance-free operation make Kaisai heat pumps the ideal solution for anyone who builds a house but also replaces or upgrades an existing heat source. Kaisai heat pumps are used in commercial, single- and multi-family buildings.





**split (R32)**

**monoblok (R32)**

**split (R410A)**



KHA-08 I 10 RX1 + KMK-80RX1

# split (R32)

Ideal alternative  
to gas, coal  
or pellet boilers

---



A compact design, an independent internal unit, and flexible installation make the Eco Home - Split Heat Pump (KHA+KMK) the ideal choice for owners of homes, shops, offices, and service premises. All the hydraulic components are easily accessible. The refrigerating connection between the outdoor and indoor units is resistant to freezing, even during a prolonged power failure, and an additional charge of refrigerant is only required, if the length of the refrigerant lines exceeds 15m.

# TECHNICAL SPECIFICATION

UNIT	OUTDOOR			INDOOR		
	MODEL		KHA-08RX1	KHA-10RX1	KMK-80RX1	
<b>Power supply</b>		V/Ph/Hz	220÷240/1/50	220÷240/1/50	220÷240/1/50	
<b>LWT range</b>	space heating	low	°C	-	-	22÷55
		high	°C	-	-	35÷60
	space cooling	low	°C	-	-	5÷30
		high	°C	-	-	18÷30
	DHW	°C	-	-	40÷60	
<b>Heating A7W35 ΔT=5, R.H. 85%</b>	nominal capacity	kW	8,40	10,0	-	
	rated input	kW	1,73	2,15	-	
	COP		4,85	4,65	-	
<b>Heating A-2W35 ΔT=5, R.H. 85%</b>	maximum capacity	W	8,72	9,13	-	
	rated input	W	2,64	2,9	-	
	COP		3,31	3,16	-	
<b>Heating A-7W35 ΔT=5, R.H. 85%</b>	maximum capacity	W	7,97	8,39	-	
	rated input	W	2,84	3,07	-	
	COP		2,81	2,73	-	
<b>Cooling A35W18 ΔT=5</b>	maximum capacity	W	8,35	10,2	-	
	rated input	W	1,79	2,40	-	
	EER		4,67	4,25	-	
<b>Cooling A35W7 ΔT=5</b>	maximum capacity	W	7,38	8,15	-	
	rated input	W	2,44	2,76	-	
	EER		3,02	2,95	-	
<b>Seasonal space heating energy efficiency class (average climate zone)</b>	LWT at 35°C	class	A+++	A+++	-	
	LWT at 55°C	class	A++	A++	-	
<b>Sound power level</b>		dB(A)	63	65	43	
<b>Sound pressure level (1m)</b>		dB(A)	49,3	52,4	31,7	
<b>Net dimensions (w/h/d)</b>		mm	1075/965/395	1075/965/395	400/850/427	
<b>Packed dimensions (w/h/d)</b>		mm	1120/1100/435	1120/1100/435	495/1040/495	
<b>Net/Gross weight</b>		kg	67/79	67/79	47/53	
<b>Compressor</b>	type		twin rotary invert	twin rotary invert		
<b>Outdoor fan</b>	motor type		DC brushless fan	DC brushless fan		
	air flow	m³/h	5000	5000		
<b>Air side heat exchanger</b>	type		fin-coil	fin-coil		
<b>Water side heat exchanger</b>			-	-	plate type	
<b>Water pump</b>	max. pump head	m	-	-	8,5	
<b>Between indoor and outdoor unit</b>	height difference	m	max.20	max.20	max.20	
	pipe length	m	2÷30	2÷30	2÷30	
<b>Refrigerant</b>	type (GWP)		R32(675)	R32(675)	R32(675)	
	charged volume	kg	1,65	1,65	-	
<b>Additional refrigerant</b>	chargment	g/m	38	38	-	
	min. pipe length	m	15	15	-	
<b>Type of expansion valve</b>			electronic	electronic	-	
<b>Outdoor air temperature range</b>	cooling	°C	-5÷43	-5÷43	-	
	heating	°C	-25÷35	-25÷35	-	
	DHW	°C	-25÷43	-25÷43	-	
<b>Expansion vessel (primary circuit)</b>	volume	L	-	-	5	
	charge pressure	MPa	-	-	0,15	
<b>Connection</b>	water side	cal	-	-	R1"	
	refrigerant liquid	mm	9,52	9,52	9,52	
	refrigerant gas	mm	15,88	15,88	15,88	
<b>Safety valve</b>		MPa	-	-	0,3	
<b>Flow switch</b>		m³/h	-	-	0,6	
<b>Total water volume</b>		L	-	-	2	
<b>Backup e-heater</b>	standard mounted	kW	-	-	3	
	capacity steps		-	-	1	
	power supply	V/Ph/Hz	-	-	220÷240/1/50	
<b>NET PRICE EUR (OUTDOOR + INDOOR UNIT)</b>			<b>5 940</b>	<b>6 590</b>		



KHC-07 | 09 RX1 • KHC-12 | 14 | 16 RX3

# monoblok

## (R32)

perfect solution  
for houses, shops, offices  
and service premises

---



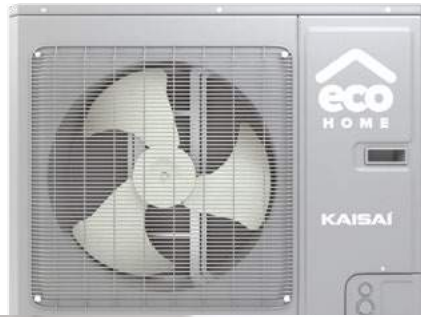
The refrigerant system is fully integrated in the outdoor unit, which means that no additional refrigerant pipes are required. The two-door design provides easy access to the internal components. The user interface provides a simple and fast modification of parameters and their monitoring in real time. The length of the communication cable of up to 50m allows for great freedom of installation.

# TECHNICAL SPECIFICATION

MODEL			KHC-07RX1	KHC-09RX1	KHC-12RX3	KHC-14RX3	KHC-16RX3
<b>Power supply</b>		V/Ph/Hz	220÷240/1/50	220÷240/1/50	380÷415/3/50	380÷415/3/50	380÷415/3/50
<b>Heating A7W35</b> ΔT=5, R.H. 85%	maximum capacity	kW	6,65	8,60	12,30	14,10	16,30
	rated input	kW	1,35	1,87	2,54	3,05	3,63
	COP		4,94	4,60	4,84	4,63	4,49
<b>Heating A2W35</b> ΔT=5, R.H. 85%	maximum capacity	kW	8,05	9,22	15,85	16,89	19,49
	rated input	kW	1,76	2,25	3,7	4,01	4,91
	COP		4,59	4,11	4,28	4,22	3,97
<b>Heating A-7W35</b> ΔT=5, R.H. 85%	maximum capacity	kW	7,13	8,29	13,27	14,5	14,93
	rated input	kW	2,29	2,68	4,47	4,82	5,13
	COP		3,11	3,09	2,97	2,94	2,91
<b>Cooling A35W18</b> ΔT=5	maximum capacity	kW	6,45	8,00	12,20	14,00	15,50
	rated input	kW	1,39	1,92	2,53	3,11	3,63
	EER		4,65	4,16	4,83	4,50	4,27
<b>Cooling A35W7</b> ΔT=5	maximum capacity	kW	6,30	7,95	10,90	12,90	13,80
	rated input	kW	2,27	3,15	3,72	4,62	5,19
	EER		2,77	2,53	2,93	2,80	2,66
<b>Seasonal space heating energy efficiency class</b> (average climate zone)	LWT at 35°C	class	A+++	A+++	A++	A++	A++
	LWT at 55°C	class	A++	A++	A++	A++	A++
<b>SCOP</b>	LWT at 35°C		4,47	4,51	4,29	4,27	4,30
	LWT at 55°C		3,24	3,22	3,23	3,26	3,27
<b>SEER</b>	LWT at 7°C		4,99	4,92	4,85	4,73	4,54
	LWT at 18°C		8,58	7,88	7,50	7,16	6,78
<b>Air flow</b>		m³/h	3050	3050	6150	6150	6150
<b>Sound power level</b>		dB(A)	64	67	68	71	71
<b>Sound pressure level (1m)</b>		dB(A)	52,3	54,5	57,2	58,1	59,0
<b>Net dimensions (w/h/d)</b>		mm	1210/945/402	1210/945/402	1404/1414/405	1404/1414/405	1404/1414/405
<b>Packed dimensions (w/h/d)</b>		mm	1500/1140/450	1500/1140/450	1475/1580/440	1475/1580/440	1475/1580/440
<b>Net/Gross weight</b>		kg	92/111	92/111	172/193	172/193	172/193
<b>Water piping connections dia.</b>		cal	1"BSP	1"BSP	5/4"BSP	5/4"BSP	5/4"BSP
<b>Safety valve set pressure</b>		MPa	0,3	0,3	0,3	0,3	0,3
<b>Expansion tank volume</b>		L	2	2	5	5	5
<b>Total water volume</b>		L	2	2	3,2	3,2	3,2
<b>Ambient temperature range</b>	cooling	°C	-5÷43	-5÷43	-5÷46	-5÷46	-5÷46
	heating	°C	-25÷35	-25÷35	-25÷35	-25÷35	-25÷35
	DHW	°C	-25÷43	-25÷43	-25÷43	-25÷43	-25÷43
<b>LWT range</b>	cooling	°C	5÷25	5÷25	5÷25	5÷25	5÷25
	heating	°C	25÷60	25÷60	25÷60	25÷60	25÷60
	DHW	°C	40÷60	40÷60	40÷60	40÷60	40÷60
<b>Refrigerant</b>	GWP type	°C	R32 (675)	R32 (675)	R32 (675)	R32 (675)	R32 (675)
	charged volume	kg	2,0	2,0	2,8	2,8	2,8
<b>Type of expansion valve</b>			electronic	electronic	electronic	electronic	electronic
<b>Backup electric heater</b>	standard mounted	kW	-	-	4,5	4,5	4,5
	optional	kW	3/6/9	3/6/9	3/6/9	3/6/9	3/6/9
	capacity steps		1	1	1	1	1
<b>NET PRICE EUR</b>			<b>5 315</b>	<b>5 625</b>	<b>8 600</b>	<b>8 900</b>	<b>9 220</b>



# split (R410A)



ideal solution  
for homes,  
shops, offices  
and service  
premises

---



The Kaisai Eco Home heat pump is an advanced device for both space heating and domestic hot water. In addition, it has the ability to cool the air, and a modern controller allows you to adjust the operation of the pump to the needs of the user.



## TECHNICAL SPECIFICATION

MODEL	indoor units		KEH-08VER/I	KEH-10VER/I	KEH-12VER/I	KEH-14VER/I
	outdoor units		KEH-08VER/O	KEH-10VER/O	KEH-12VER/O	KEH-14VER/O
Electric power supply			V/Ph/Hz 220÷240/1/50	220÷240/1/50	380÷415/3/50	380÷415/3/50
Maximum capacity Heating: water 30/35°C ext. temp. 7°C Cooling: water 23/18°C ext. temp. 35°C	Capacity	heating	kW 8	10	12	14
		cooling	kW 7,8	8,2	13,5	14,5
	Electric power input	heating	kW 1,78	2,27	2,8	3,35
		cooling	kW 1,95	2,1	3,55	3,95
		COP*/EER	4,5/3,9	4,4/3,0	4,3/3,8	4,2/3,7
Maximum capacity Heating: water 40/45°C ext. temp. 7°C Cooling: water 12/7°C ext. temp. 35°C	Capacity	heating	kW 7,60	9,50	12,00	13,50
		cooling	kW 6,30	7,20	10,00	10,50
	Electric power input	heating	kW 2,24	2,88	3,55	4,05
		cooling	kW 2,33	2,77	3,35	3,60
		COP*/EER	3,4/2,6	3,3/2,7	3,4/3,0	3,35/2,95
Energy class – heating			A++	A++	A+	A+
Net dimensions (w/h/d)	indoor unit	mm	500/981/324	500/981/324	500/981/324	500/981/324
	outdoor unit	mm	980/788/427	980/788/427	900/1345/412	900/1345/412
Transport dimensions (w/h/d)	indoor unit	mm	608/1043/395	608/1043/395	608/1043/395	608/1043/395
	outdoor unit	mm	1097/862/477	1097/862/477	998/1515/458	998/1515/458
Net/transport weight	indoor unit	kg	56/65	56/65	58/67	58/67
	outdoor unit	kg	80/89	80/89	107/117	114/124
Sound pressure level	indoor unit	dB(A)	31	31	31	31
	outdoor unit – heating	dB(A)	56	56	57	57
	outdoor unit – cooling	dB(A)	54	54	55	55
Refrigerant pipe diameter	liquid/gas	mm	9,52/15,9	9,52/15,9	9,52/15,9	9,52/15,9
R410A refrigerant charged quantity		kg	2,30	2,30	3,60	3,60
Max refrigerant installation length/level difference		m	30/15	30/15	30/15	30/15
Circulation pump model			Wilo RS25/7,5	Wilo RS25/7,5	Wilo RS25/7,5	Wilo RS25/7,5
Water flow rate		l/min	12	12	12	12
Auxiliary electric heater output	quantity x power	kW	6(2x3)	6(2x3)	6(1x6)	6(1x6)
Water temp. – DHW mode		°C	40÷80	40÷80	40÷80	40÷80
Water temperature	heating mode	°C	25÷55	25÷55	25÷55	25÷55
	cooling mode	°C	7÷25	7÷25	7÷25	7÷25
Outdoor temperature range	heating mode	°C	-20÷35	-20÷35	-20÷35	-20÷35
	domestic hot water mode	°C	-20÷45	-20÷45	-20÷45	-20÷45
	cooling mode	°C	10÷48	10÷48	10÷48	10÷48
<b>NET PRICE EUR</b>			<b>5 625</b>	<b>6 094</b>	<b>7 062</b>	<b>7 970</b>

## TYPES OF CONDENSING UNITS AND CONTROL



KEH-08VER/O • KEH-10VER/O



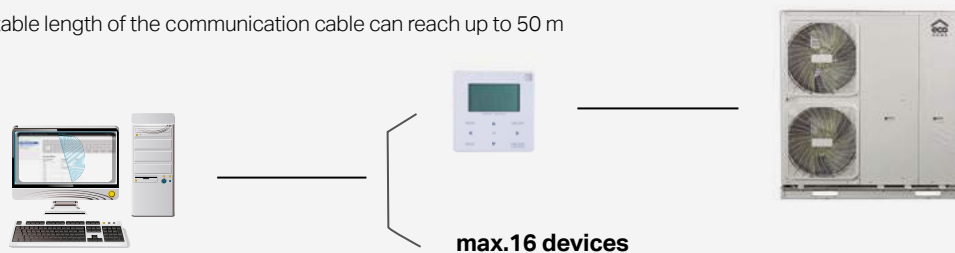
KEH-12VER/O • KEH-14VER/O



Controller

# User interface (KHA+KMK, KHC)

- Multilingual menu, including Polish
- Newly designed controller with touch buttons
- Wireless WiFi operation
- Modbus RTU protocol - connect up to 16 devices, integration with BMS
- Simple and quick changing of the heat pump's operational parameters
- Checking the operating parameters in real-time
- Built-in temperature sensor
- The adjustable length of the communication cable can reach up to 50 m



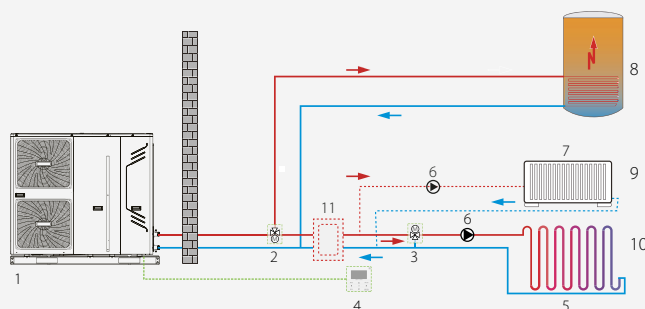
## WiFi as a standard

- Free application to control the pump via WiFi
- Modification of the heating temperature and usable warm water settings
- Monitoring operational parameters
- Device failure information

## Two heating circuits (standard)

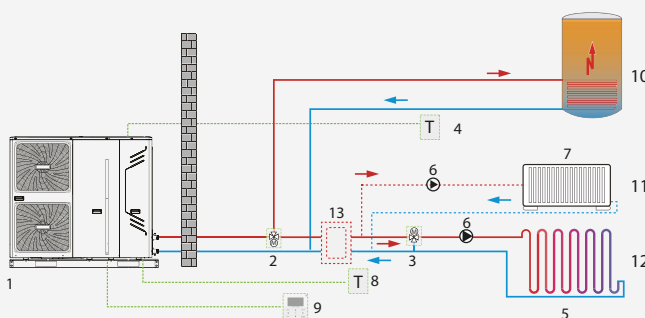
- More flexible because it has two control zones
- Separate temperature control for the underfloor and the radiator heating
- No need to purchase an extension module for a second heating system

## Two control zones due to one interface



1. KHC / KHA+KMK
2. Three-way valve
3. Three-way valve
4. User interface
5. Underfloor heating
6. Water pump
7. Radiator
8. Domestic hot water tank
9. Zone 1 controlled base on the leaving water temperature
10. Zone 2 controlled base on the leaving water temperature
11. Buffer

## Two control zones due to the user interface and the thermostat



1. KHC / KHA+KMK
2. Three-way valve
3. Three-way valve
4. Thermostat 1
5. Underfloor heating
6. Water pump
7. Radiator
8. Thermostat 2
9. User interface
10. Domestic hot water tank
11. Zone 1 controlled base on the thermostat 1
12. Zone 2 controlled base on the thermostat 2
13. Buffer



## Accessories for **heat pumps**



ELECTRIC  
HEATER

**HP EH**

The electric heater is a compact heat source, which supports or substitutes the KAISAI heat pump. Dedicated to the KHC-xxRX1 models. The KEH, KHA+KMK, and KHC-xxRX3 models have a built-in heater, as a standard.

**NET PRICE EUR**

**1600**



ADDITIONAL TEMPERATURE  
SENSOR

**HP T1**

A dedicated T1/T1B temperature sensor for the KHA+KMK and KHC pumps, when using an additional heat source or an external mixing unit. KAISAI accessories, such as the "Electric Heater" and the "Mixing Unit" have built-in sensors, as a standard.

**NET PRICE EUR**

**60**



3-WAY VALVE FOR SWITCHING  
BETWEEN CENTRAL HEATING /  
DOMESTIC HOT WATER

**HP 3WV**

A valve switching between central heating and domestic hot water, with a high KVs coefficient, including an actuator compatible with the KAISAI heat pump. Dedicated to all models of the KAISAI heat pumps.

**NET PRICE EUR**

**420**



MIXING GROUP

**HP MXS**

A dedicated mixing group for the KAISAI KHA+KMK and KHC heat pumps, required for two heating circuits with different supply temperatures (e.g. radiators and an under floor heating system).

**NET PRICE EUR**

**1500**

# CONTROLLERS FOR KAISAI UNITS



## Wired controllers



WIRED  
CONTROLLER  
**KJR-120X2**

The controller is dedicated for duct air conditioners and optional for wall-mounted ONE, cassette, and floor / ceiling air conditioners.

Basic functions: Activation | Deactivation | Working mode | Air temperature | Fan speed | Timer | Weekly timer | Operation temperature range.

---

**NET PRICE [EUR]** **260**

---



CENTRAL  
CONTROLLER  
**CCM03**

Optional controller for air conditioners: cassette, floor / ceiling and duct air conditioners.

Possibility to control up to 64 units. In addition to the standard functions, it has locking options for: operating mode, individual controllers and central control buttons. The maximum length of communication cables is 1200 m.

---

**NET PRICE [EUR]** **600**

---



WIRED  
CONTROLLER  
**KJR12B**

The controller is dedicated for duct air conditioners and optional for cassette and floor / ceiling air conditioners.

Basic functions: Turning ON/OFF | Operating mode | Air temperature | Fan speed | Timer | Temp. sensor in remote control unit  
Auto louver function

---

**NET PRICE [EUR]** **125**

---



WIRED  
CONTROLLER  
**KJR90A**

Optional controller for: cassette, wall, floor / ceiling, duct devices.

Basic functions: Turning ON/OFF | Operating mode | Air temperature | Fan speed | Timer | Auto louver function | Clock

---

**NET PRICE [EUR]** **160**

---

# Wireless controllers



**RG66A1, RG66A2, RG66B7** WIRELESS CONTROL UNIT

This controller is dedicated to wall-mounted, floor, cassette, and floor/ceiling air conditioners.

Basic functions: Activation / Deactivation | Working mode | Air temperature | Fan speed | Timer | Remote control temperature sensor | Automatic louvre function | Direction of air supply | Turbo function | Self-cleaning evaporator | 8st.C continuous heating function | Eco function\*

\*Each individual function of the remote control depends on the version. Refer to the remote control manual for details.

**NET PRICE [EUR]**

**140**



WIRELESS CONTROL UNIT  
**RG57**

The controller is dedicated for wall, cassette, floor / ceiling air conditioners and optional for duct units.

Basic functions: Turning ON/OFF | Operating mode | Air temperature | Fan speed | Timer | Temp. sensor in remote control unit | Auto louvre function | Direction of air flow | Turbo function | Self-cleaning evaporator | 8°C continuous heating function

**NET PRICE [EUR]**

**120**



WIRELESS CONTROL UNIT  
**RG66A1(B2)**

The controller is dedicated for floor air conditioners.

Basic functions:

Activation | Deactivation | Working mode | Air temperature | Fan speed | Timer | Remote control temperature sensor | Automatic louvre function | Direction of air supply | Turbo function.

**NET PRICE [EUR]**

**140**



WIRELESS CONTROL UNIT  
**R51**

The controller dedicated for KPPD portable air conditioners and optional for wall, cassette, floor / ceiling air conditioners.

Basic functions: Turning ON/OFF | Operating mode | Air temperature | Fan speed | Timer | Direction of air flow | Auto louvre function | Turbo function

**NET PRICE [EUR]**

**105**



WIRELESS CONTROL UNIT  
**YX1F**

Controller dedicated exclusively for KPC portable air conditioners.

Basic functions: Turning ON/OFF | Operating mode | Air temperature | Fan speed | Timer | Auto louvre function | Turbo function

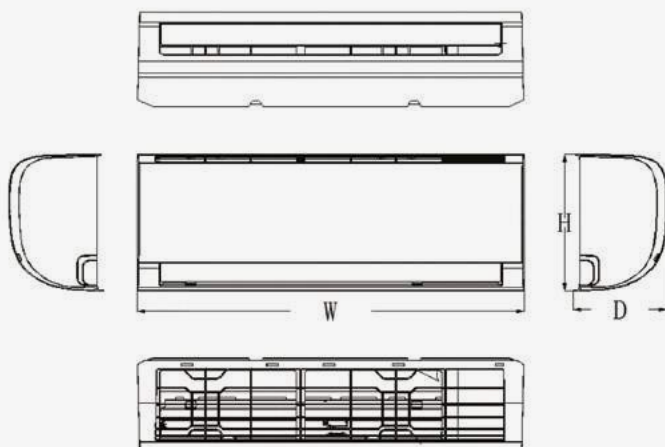
**NET PRICE [EUR]**

**105**

# Dimensions of Split units

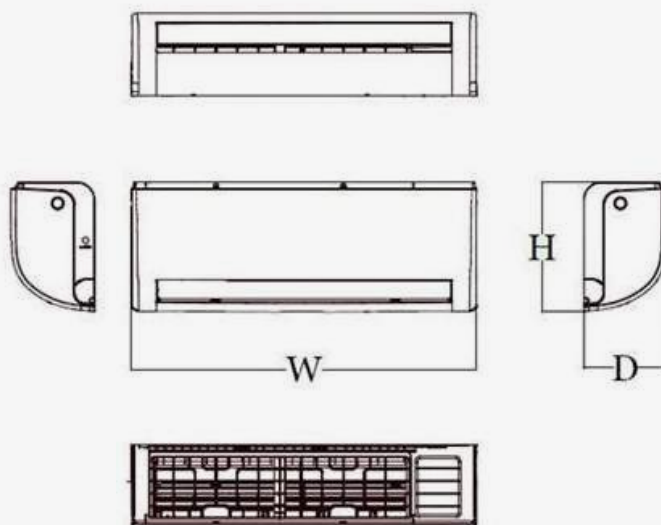
## WALL-MOUNTED FLY

MODEL	DIMENSIONS [mm]		
	W	D	H
KWX-09HRBI	805	194	285
KWX-12HRBI	805	194	285
KWX-18HRBI	957	213	302
KWX-24HRBI	1040	220	327



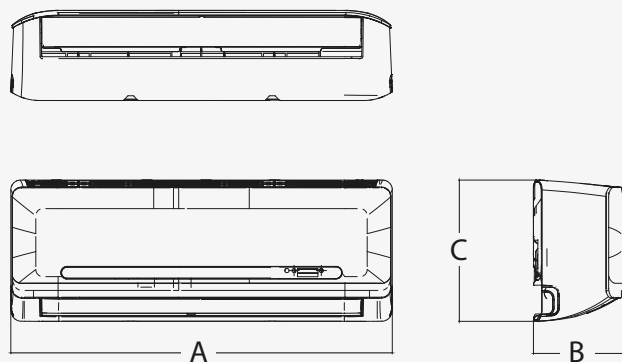
## WALL-MOUNTED ONE

MODEL	DIMENSIONS [mm]		
	W	D	H
KRX-09AEXI	717	193	302
KRX-12AEXI	805	193	302
KRX-18AEXI	964	222	325
KRX-24AEXI	1106	232	342

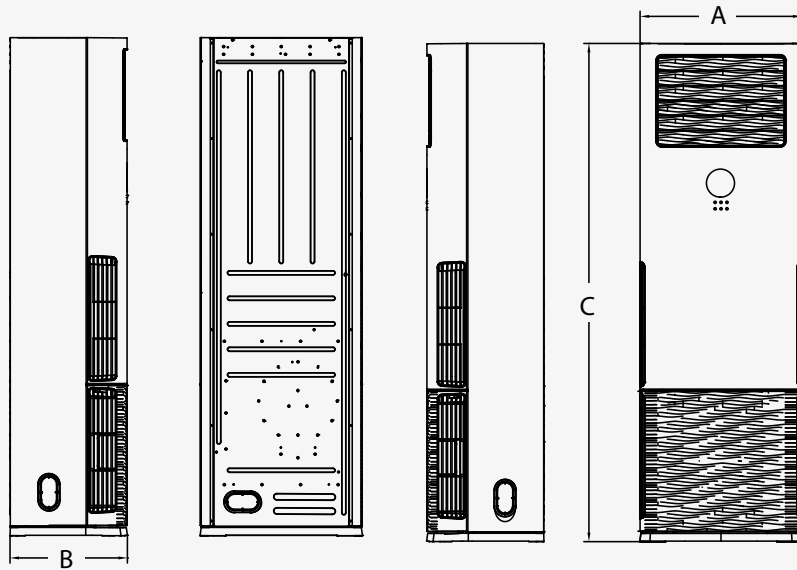


## WALL-MOUNTED PRO +

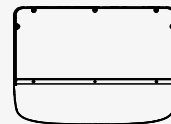
MODEL	DIMENSIONS [mm]		
	A	B	C
KSN-12PRBI	802	189	297



## FLOOR STANDING

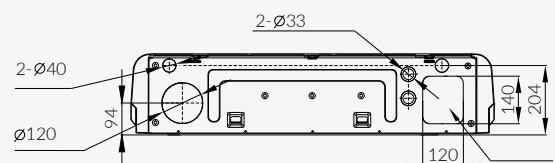
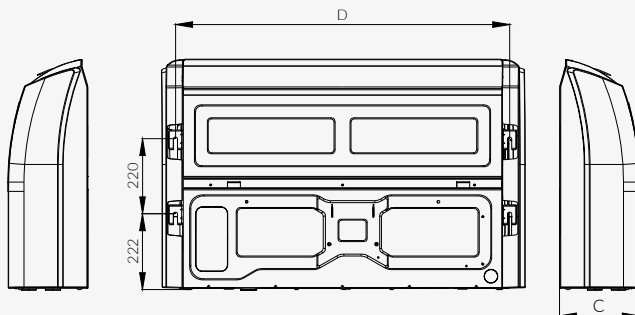
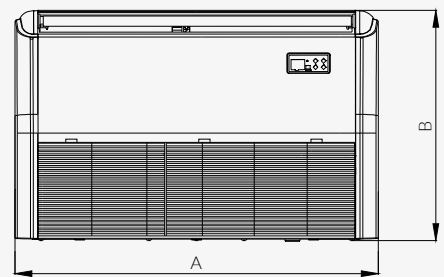


MODEL	DIMENSIONS [mm]		
	A	B	C
KFS-50HRFI	629	456	1935



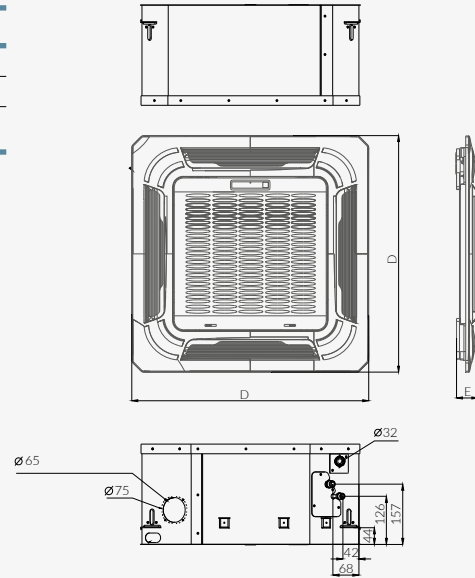
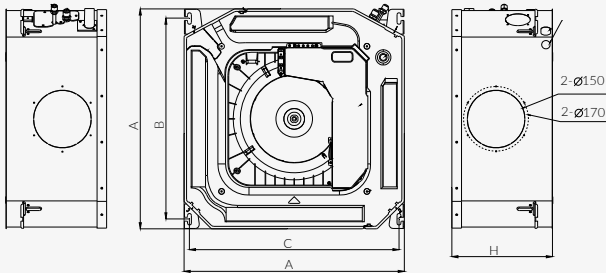
## FLOOR / CEILING

MODEL	DIMENSIONS [mm]			
	A	B	C	D
KUE-18HRB32X	1068	675	235	983
KUE-24HRB32	1068	675	235	983
KUE-36HRB32	1650	675	235	1565
KUE-48HRB32	1650	675	235	1565
KUE-55HRB32	1650	675	235	1565



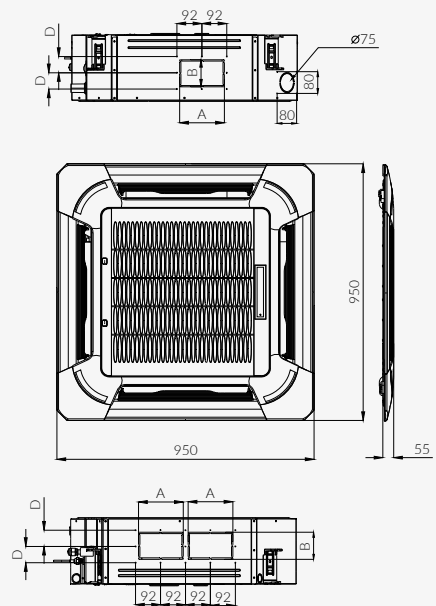
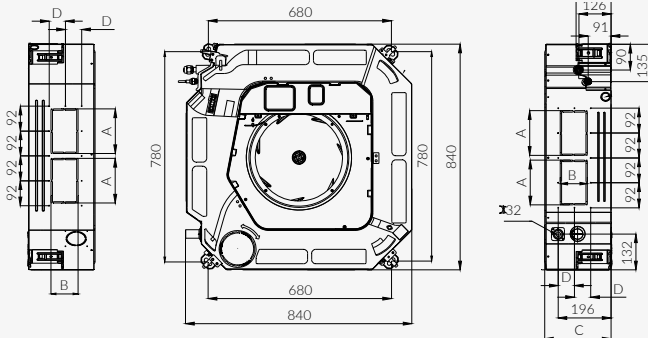
## COMPACT CASSETTE

MODEL	DIMENSIONS [mm]					
	A	B	C	D	E	H
KCA3U-12HRB32X	570	523	545	647	50	260
KCA3U-18HRB32X	570	523	545	647	50	260



## SUPER SLIM CASSETTE

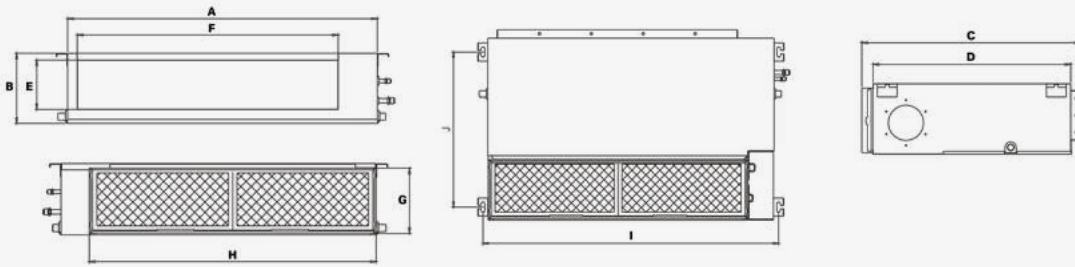
MODEL	DIMENSIONS [mm]			
	A	B	C	D
KCD-24HRB32	160	95	245	60
KCD-36HRB32	160	95	245	60
KCD-48HRB32	160	95	287	60
KCD-55HRB32	160	95	287	60





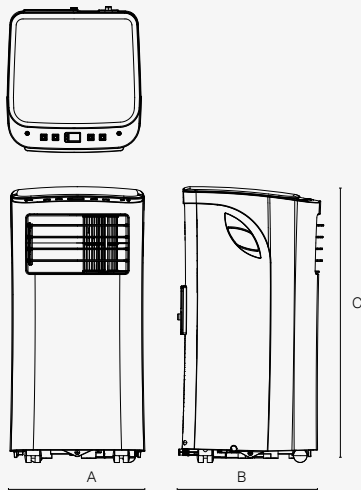
## SLIM DUCT

MODEL	DIMENSIONS [mm]									
	A	B	C	D	E	F	G	H	I	J
KTI-18HWP32X	880	210	674	600	136	706	190	782	920	508
KTI-24HWP32	1100	249	774	700	175	926	228	1001	1140	598
KTI-36HWP32	1360	249	774	700	175	1186	228	1261	1400	598
KTI-48HWP32, KTI-55HWP32	1200	300	874	800	227	1044	280	1101	1240	697



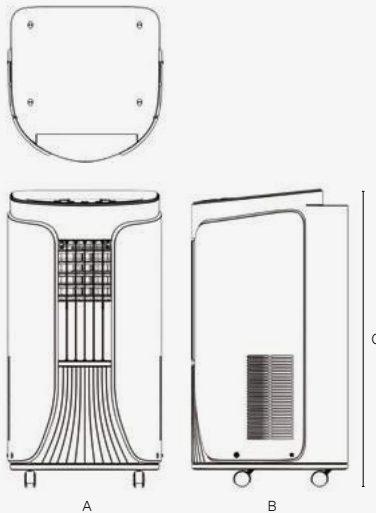
## Dimensions of Portable units

K P P H



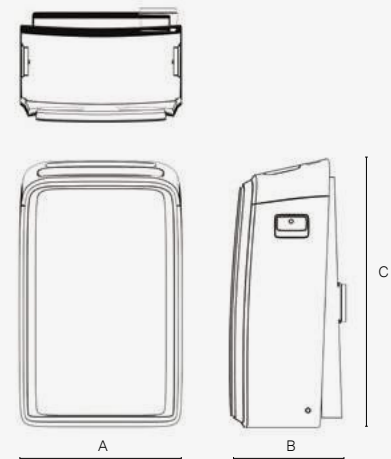
MODEL	DIMENSIONS [mm]		
	A	B	C
KPPH-09HRN29	355	345	703

K P C



MODEL	DIMENSIONS [mm]		
	A	B	C
KPC-09AK29	315	395	770

K P P D

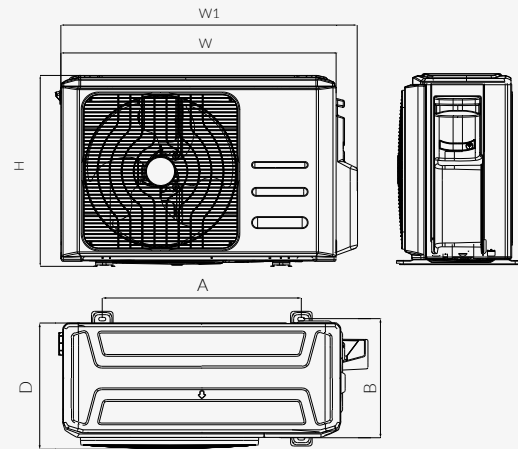


MODEL	DIMENSIONS [mm]		
	A	B	C
KPPD-12HRN29	467	397	765

## OUTDOOR UNITS

### FOR WALL-MOUNTED MODELS

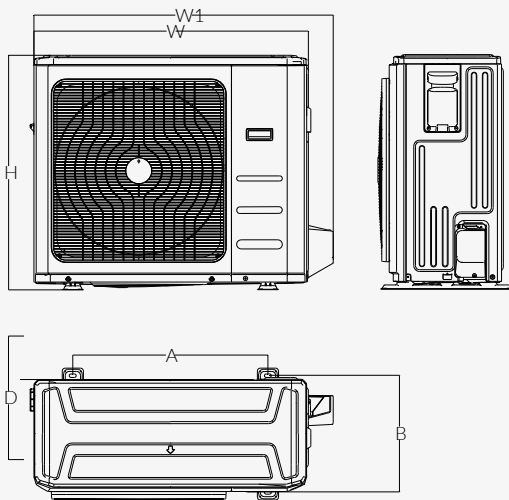
MODEL	DIMENSIONS [mm]					
	W	D	H	W1	A	B
KWX-09HRBO	720	245	495	885	452	256
KWX-12HRBO	720	245	495	885	452	256
KWX-18HRBO	800	365	554	870	514	340
KWX-24HRBO	800	333	554	914	540	350
KSN-12PRBO	800	333	554			
KRX-09AEXO	770	300	555			
KRX-12AEXO	770	300	555			
KRX-18AEXO	800	333	554			
KRX-24AEXO	845	363	702			



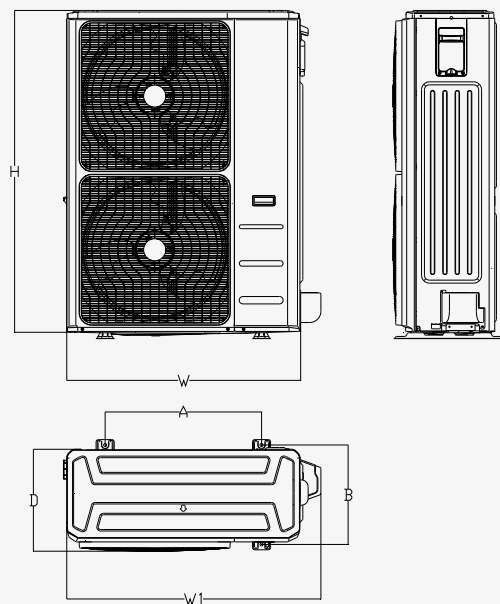
### FOR CASSETTE MODELS, FLOOR STANDING MODELS, FLOOR AND CEILING MODELS, DUCT MODELS

MODEL	DIMENSIONS [mm]					
	W	D	H	W1	A	B
KOB30-12HFN32X	800	333	554	870	514	340
KOB30-18HFN32X	800	333	554	870	514	340
KOCA30U-24HFN32	845	363	702	914	540	350
KOD30U-36HFN32, 36HFJ32	946	410	810	1030	673	403
KOE30U-48HFN32	952	415	1333	1045	634	404
KOE30U-55HFN32	952	415	1333	1045	634	404

KOB30-12 | 18 HFN32X · KOCA30U-24HFN32  
KOD30U-36HFN32 · KOD30U-36HFJ32



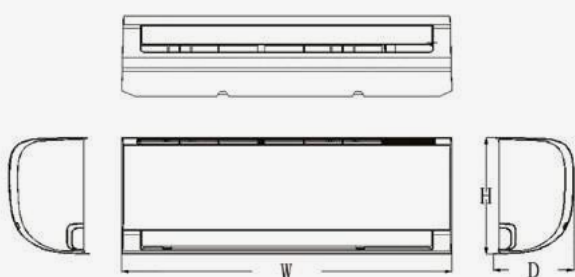
KOE30U-48 | 55 HFN32 · KFS-50HRFO



# Dimensions of Multi Split units

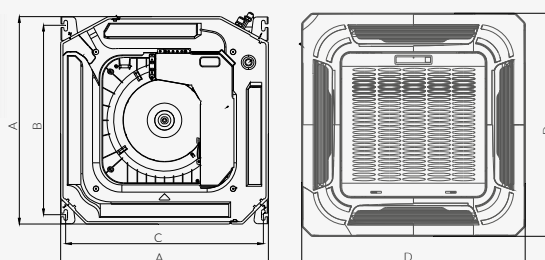
## WALL-MOUNTED

MODEL	DIMENSIONS [mm]		
	W	D	H
KWX-09HRBI	805	194	285
KWX-12HRBI	805	194	285
KWX-18HRBI	957	213	302
KWX-24HRBI	1040	220	327



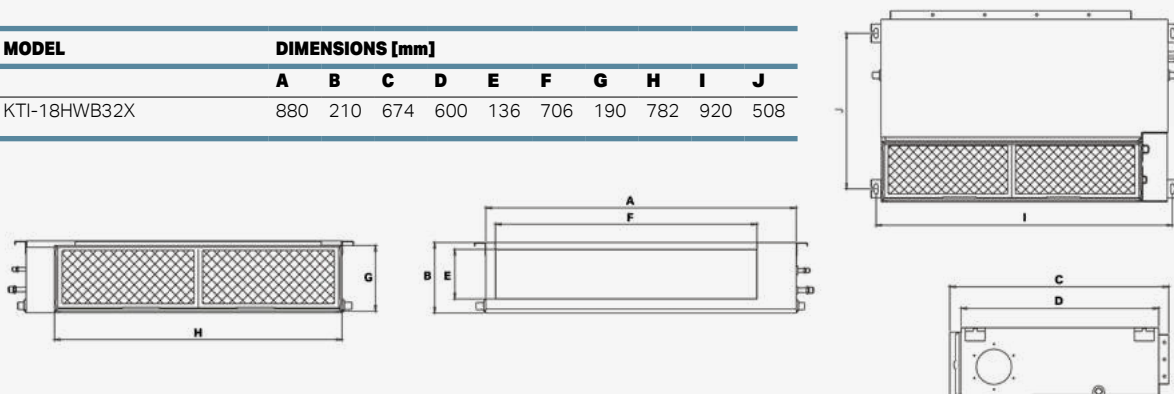
## CASSETTE

MODEL	DIMENSIONS [mm]					
	A	B	C	D	E	F
KCA3I-09HRB32	570	523	545	647	50	260
KCA3U-12HRB32X	570	523	545	647	50	260
KCA3U-18HRB32X	570	523	545	647	50	260



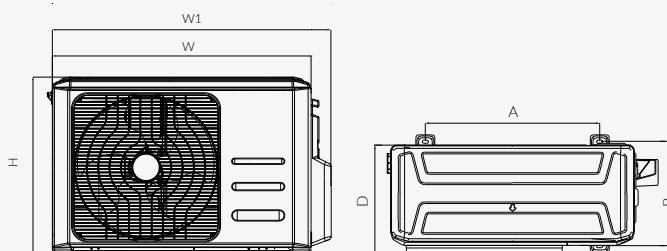
## DUCT

MODEL	DIMENSIONS [mm]									
	A	B	C	D	E	F	G	H	I	J
KTI-18HWP32X	880	210	674	600	136	706	190	782	920	508



## OUTDOOR UNITS

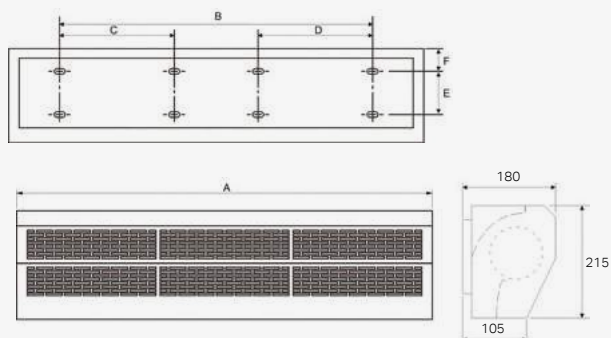
MODEL	DIMENSIONS [mm]					
	W	D	H	W1	A	B
K20C-18HFN32	800	333	554	860	514	340
K30E-27HFN32	845	363	702	923	540	350
K40E-28HFN32	946	410	810	1034	673	403
K40B-36HFN32	946	410	810	1034	673	403
K50D-42HFN32	946	410	810	1034	673	403



# Dimensions of Air curtains

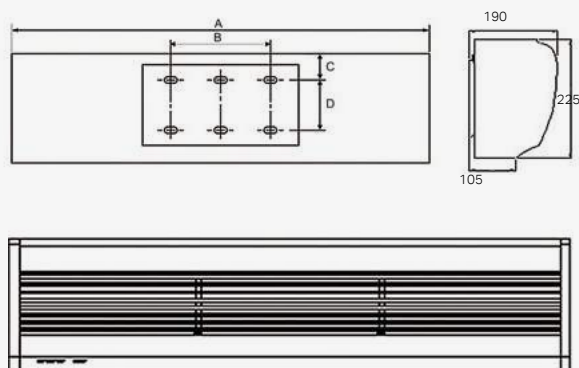
## SILVER

MODEL	DIMENSIONS [mm]					
	A	B	C	D	F	E
<b>WITH HEATER</b>						
SILVER AG-100H6	1000	950	340	340	50	100
SILVER AG-150H10	1500	1408	569	569	50	100
SILVER AG-200H14	2000	1904	847	847	50	100
<b>WITHOUT HEATER</b>						
SILVER AG-100CX	1000	440	-	-	50	90
SILVER AG-150CX	1500	840	-	-	50	90
SILVER AG-200CX	2000	840	-	-	50	90



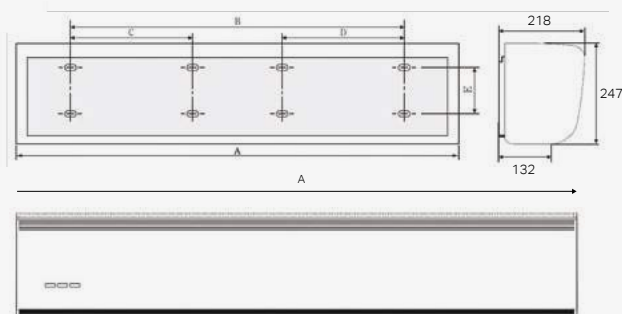
## GOLD

MODEL	DIMENSIONS [mm]			
	A	B	C	D
<b>WITH HEATER</b>				
GOLD AU-100H3.5	1000	440	42	90
GOLD AU-100H6	1000	440	42	90
GOLD AU-120H8	1200	440	42	90
GOLD AU-150H10	1500	840	42	90
GOLD AU-200H14	2000	840	42	90
<b>WITHOUT HEATER</b>				
GOLD AU-100CX	1000	440	42	90
GOLD AU-150CX	1500	840	42	90
GOLD AU-200CX	2000	840	42	90



## PLATINUM NEW

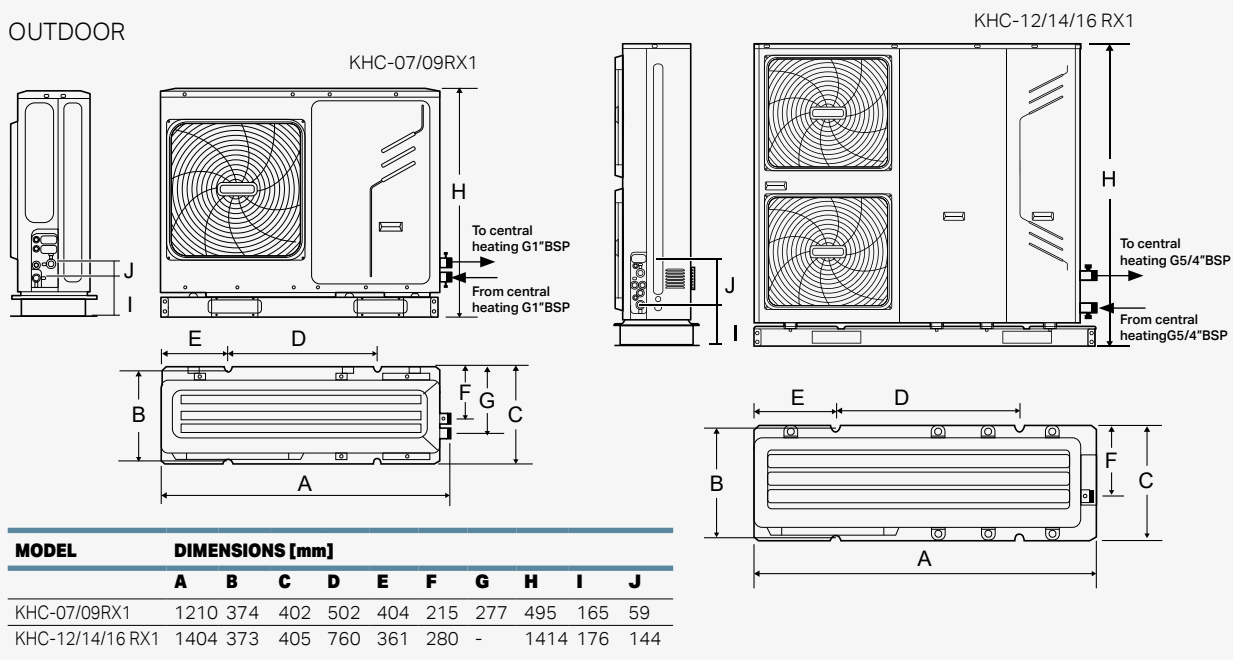
MODEL	DIMENSIONS [mm]				
	A	B	C	D	E
<b>WITH HEATER</b>					
PLATINUM NEW PTN-090H8	900	440	-	-	90
PLATINUM NEW PTN-120H10	1200	440	-	-	90
PLATINUM NEW PTN-150H12	1500	440	-	-	90
<b>WITHOUT HEATER</b>					
PLATINUM NEW PTN-090CX	900	440	-	-	90
PLATINUM NEW PTN-120CX	1200	440	-	-	90
PLATINUM NEW PTN-150CX	1500	440	-	-	90



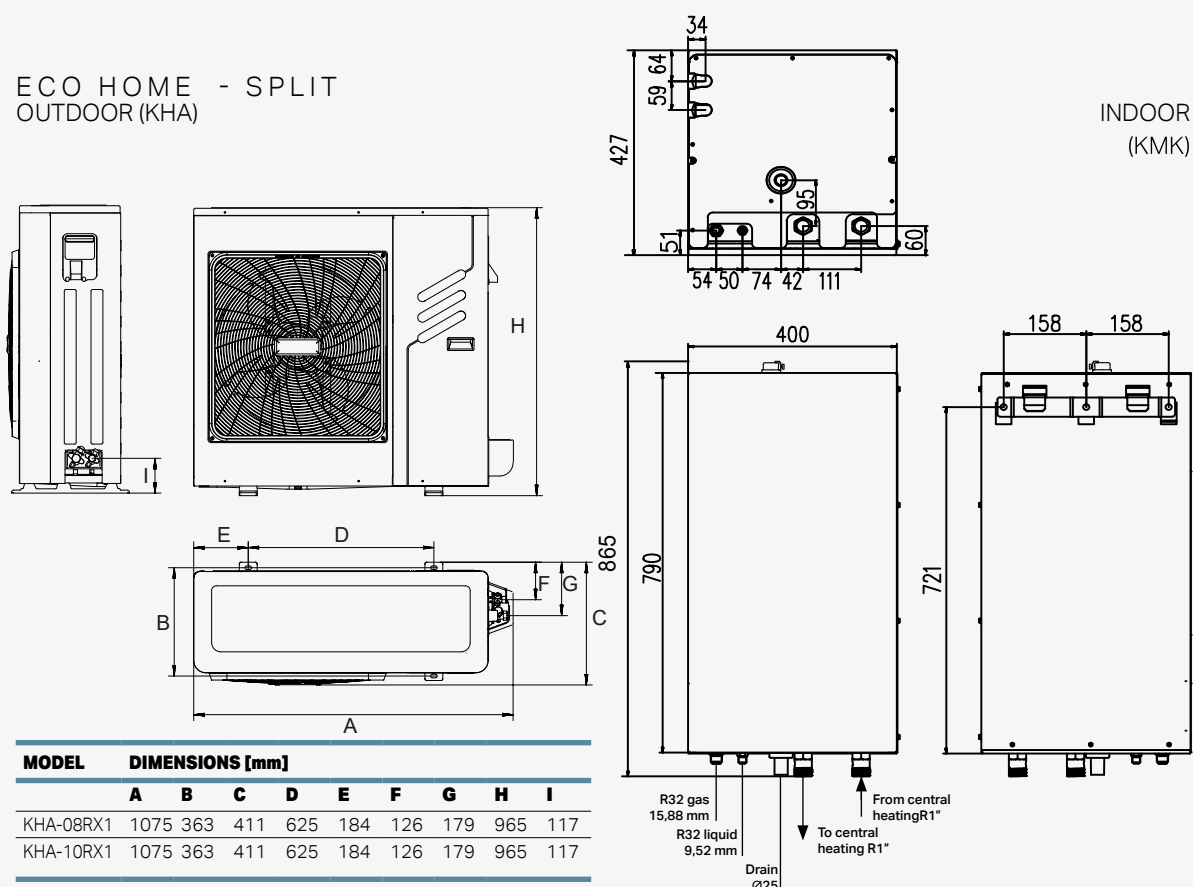
# Dimensions of Heat pumps R32

ECO HOME - MONOBLOK (KHC)

OUTDOOR



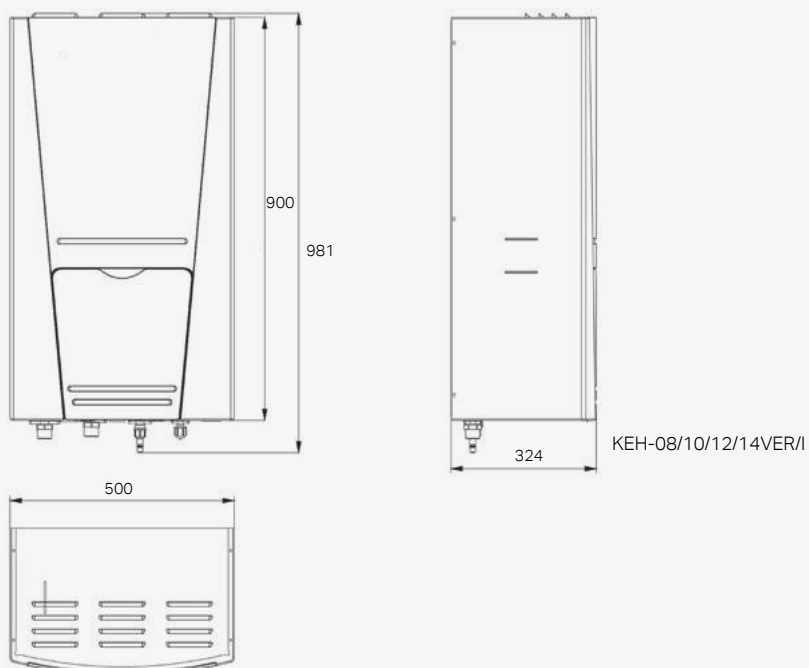
ECO HOME - SPLIT  
OUTDOOR (KHA)



INDOOR  
(KMK)

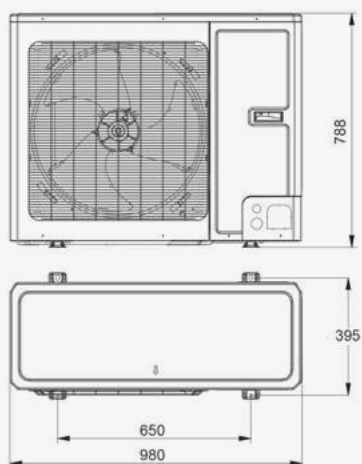
# Dimensions of Heat pumps R410A

ECO HOME - SPLIT  
INDOOR

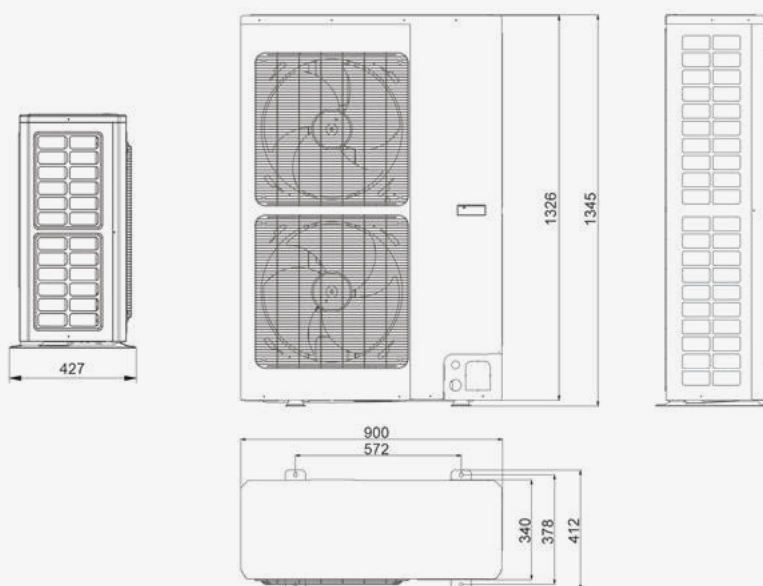


ECO HOME - SPLIT  
OUTDOOR

KEH-08/10VER/O



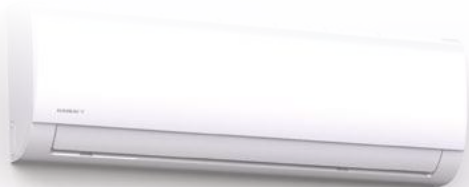
KEH-12/14VER/O



# Pallet arrangement– logistic data

Indoor unit	Outdoor unit	Number of assemblies	Pallet size	Indoor unit	Outdoor unit	Number of assemblies	Pallet size
KWX-09HRBI	KWX-09HRBO	6	120x90x200	KTI-18HWP32X	KOB30-18HFN32X	3	120x90x175
KWX-12HRBI	KWX-12HRBO	6	120x90x200	KTI-24HWP32	KOCA30U-24HFN32	2	120x100x170
KWX-18HRBI	KWX-18HRBO	5	120x90x200	KTI-36HWP32	KOD30U-36HFN32/ HFJ32	1	120x90x175
KWX-24HRBI	KWX-24HRBO	4	120x90x200	KTI-48HWP32	KOE30U-48HFN32	1	120x90x165
KRX-09AEXI	KRX-09AEXO	6	120x90x200	KTI-55HWP32	KOE30U-55HFN32	1	120x90x165
KRX-12AEXI	KRX-12AEXO	6	120x90x200	KPC-09AK29		8	120x80x180
KRX-18AEXI	KRX-18AEXO	5	120x90x205	KPPD-12HRN29		8	120x90x180
KRX-24AEXI	KRX-24AEXO	4	120x90x200	KPPH-09HRN29		12	120x80x190
KSN-12PRBI	KSB-12PRBO	6	120x90x200	SILVER AG-100H6		21	120x80x200
KWX-09HRDI		20	120x90x200	SILVER AG-150H10		21	200x80x200
KWX-12HRDI		20	120x90x200	SILVER AG-200H14		21	200x80x200
KWX-18HRDI		15	120x90x200	SILVER AG-100CX		21	120x80x200
KWX-24HRDI		12	120x80x200	SILVER AG-150CX		21	200x80x200
KCA3I-09HRF32		5	120x80x200	SILVER AG-200CX		18	200x80x200
KCA3U-12HRF32X		5	120x80x200	GOLD AU-100H3,5		18	120x80x200
KCA3U-18HRF32X		5	120x80x200	GOLD AU-100H6		18	120x80x200
	K20C-18HFN32	9	120x90x200	GOLD AU-120H8		18	120x80x200
	K30E-27HFN32	6	120x90x165	GOLD AU-150H10		18	200x80x200
	K40E-28HFN32			GOLD AU-200H14		18	200x80x200
	K40B-36HFN32	4	120x100x190	GOLD AU-100CX		18	120x80x200
	K50D-42HFN32	4	120x100x190	GOLD AU-150CX		18	200x80x200
				GOLD AU-200CX		18	200x80x200
KFS-50HRFI	KFS-50HRFO	1+1 2+2	210x80x130, 120x80x160, 210x80x130, 120x100x160	PLATINUM NEW PTN-090H8		14	120x80x180
				PLATINUM NEW PTN-120H10		14	120x80x180
KUE-18HRB32X	KOB30-18HFN32X	3	120x90x175	PLATINUM NEW PTN-150H12		14	200x80x180
KUE-24HRB32	KOCA30U-24HFN32	3	120x90x175	PLATINUM NEW PTN-090CX		14	120x80x180
KUE-36HRB32	KOD30U-36HFN32/ HFJ32	1	120x90x190	PLATINUM NEW PTN-120CX		14	120x80x180
KUE-48HRB32	KOE30U-48HFN32	1	120x90x190	PLATINUM NEW PTN-150CX		14	200x80x180
KUE-55HRB32	KOE30U-55HFN32	1	120x90x190	KEH-08VER/I	KEH-08VER/O	2	120x100x185
KCA3U-12HRB32X	KOB30-12HFN32X	3	120x90x185	KEH-10VER/I	KEH-10VER/O	2	120x100x185
KCA3U-18HRB32X	KOB30-18HFN32X	3	120x90x185	KEH-12VER/I	KEH-12VER/O	1	120x90x160
KCD-24HRB32	KOCA30U-24HFN32	3	120x100x195	KEH-14VER/I	KEH-14VER/O	1	120x90x170
KCD-36HRB32	KOD30U-36HFN32/ HFJ32	2	120x100x160		KHC-07RX1	2	130x90x125
KCD-48HRB32	KOE30U-48HFN32	1	120x90x165		KHC-09RX1	2	130x90x125
KCD-55HRB32	KOE30U-55HFN32	1	120x90x165		KHC-12RX3	2	160x90x170
					KHC-14RX3	2	160x90x170
					KHC-16RX3	2	160x90x170
				KMK-80RX1	KHA-08RX1	2	120x100x180
				KMK-80RX1	KHA-10RX1	2	120x100x180

# Product price list 2020/2021



2020  
2021

MODEL		CAPACITY		NET PRICE	
INDOOR UNIT	OUTDOOR UNIT	COOLING [kW]	HEATING [kW]	[EUR]	
<b>FLY WALL-MOUNTED AIR CONDITIONER WITH WI-FI MODULE</b>					
KWX-09HRBI	KWX-09HRBO	2,6	2,9	660	
KWX-12HRBI	KWX-12HRBO	3,5	3,8	705	
KWX-18HRBI	KWX-18HRBO	5,3	5,6	1 120	
KWX-24HRBI	KWX-24HRBO	7,0	7,3	1 450	
<b>ONE WALL-MOUNTED AIR CONDITIONER WITH WI-FI MODULE</b>					
KRX-09AEXI	KRX-09AEXO	NEW 2020	2,6	2,9	720
KRX-12AEXI	KRX-12AEXO	NEW 2020	3,5	4,1	785
KRX-18AEXI	KRX-18AEXO	NEW 2020	5,3	5,7	1 200
KRX-24AEXI	KRX-24AEXO	NEW 2020	7,2	7,6	1 578
<b>PRO+ WALL-MOUNTED AIR CONDITIONER WITH WI-FI MODULE</b>					
KSN-12PRBI	KSN-12PRBO	NEW 2020	3,5	3,5	1 350
<b>MULTI SPLIT SYSTEM --- WALL-MOUNTED OUTDOOR FLY UNITS WITH WI-FI MODULE</b>					
KWX-09HRBI		2,6	2,9	297	
KWX-12HRBI		3,5	3,8	320	
KWX-18HRBI		5,3	5,6	430	
KWX-24HRBI		7,0	7,3	530	
<b>MULTI SPLIT SYSTEM --- CASSETTE INDOOR COMPACT UNITS</b>					
KCA3I-09HRB32		2,6	2,8	470	
KCA3U-12HRB32/ KCA3U-12HRB32X		3,5	4,4	580	
KCA3U-18HRB32/ KCA3U-18HRB32X		5,3	5,4	700	
<b>MULTI SPLIT SYSTEM --- DUCT INDOOR UNITS</b>					
KTI-18HWP32X		NEW 2020	5,3	5,6	630
<b>MULTI SPLIT SYSTEM --- OUTDOOR MULTI SPLIT UNITS</b>					
K20C-18HFN32		5,3	5,6	1 070	
K30E-27HFN32		7,9	8,2	1 600	
K40E-28HFN32		NEW 2020	8,2	8,8	2 200
K40B-36HFN32		10,6	10,6	2 545	
K50D-42HFN32		12,4	12,4	2 780	
<b>FLOOR STANDING AIR CONDITIONER</b>					
KFS-50HRFI	KFS-50HRFO	NEW 2020	14,1	16,1	4 065
<b>FLOOR/CEILING AIR CONDITIONER</b>					
KUE-18HRB32X	KOB30-18HFN32X	5,3	5,6	1 650	
KUE-24HRB32	KOCA30U-24HFN32	7,0	7,6	2 100	
KUE-36HRB32	KOD30U-36HFJ32	NEW 2020	10,6	11,1	3 500
KUE-36HRB32	KOD30U-36HFN32	10,6	11,1	3 500	
KUE-48HRB32	KOE30U-48HFN32	14,1	16,1	4 120	
KUE-55HRB32	KOE30U-55HFN32	15,8	18,2	4 250	
<b>COMPACT CASSETTE AIR CONDITIONER</b>					
KCA3U-12HRF32X	KOB30-12HFN32X	3,5	4,4	1 480	
KCA3U-18HRF32X	KOB30-18HFN32X	5,3	5,4	1 760	

Purchase prices presented in the price list are net prices in PLN currency. The price list does not constitute an offer within the meaning of Article 66 of the Commercial Code.



MODEL		CAPACITY		NET PRICE	
INDOOR UNIT	OUTDOOR UNIT	COOLING [kW]	HEATING [kW]	[EUR]	
<b>SUPER SLIM CASSETTE AIR CONDITIONER</b>					
KCD-24HRB32	KOCA30U-24HFN32	7,0	7,6	2 200	
KCD-36HRB32	KOD30U-36HFJ32	NEW 2020	10,6	11,1	3 520
KCD-36HRB32	KOD30U-36HFN32	10,6	11,1	3 520	
KCD-48HRB32	KOE30U-48HFN32	14,0	16,1	3 950	
KCD-55HRB32	KOE30U-55HFN32	15,5	18,2	4 300	
<b>SLIM DUCT AIR CONDITIONER</b>					
KTI-18HWP32X	KOB30-18HFN32X	5,3	5,6	1 690	
KTI-24HWP32	KOCA30U-24HFN32	7,0	7,6	2 150	
KTI-36HWP32	KOD30U-36HFJ32	NEW 2020	10,6	11,1	3 550
KTI-36HWP32	KOD30U-36HFN32	10,5	11,1	3 550	
KTI-48HWP32	KOE30U-48HFN32	14,0	16,1	4 150	
KTI-55HWP32	KOE30U-55HFN32	15,4	18,2	4 400	
<b>CONDENSING UNITS WITH CONTROL MODULE</b>					
KOB30-12HFN32X + module KMS-8140		NEW 2020	3,5	4,4	1 500
KOB30-18HFN32X + module KMS-8140			5,3	5,6	1 700
KOCA30U-24HFN32 + module KMS-8243			7,0	7,6	2 100
KOD30U-36HFJ32 + module KMS-8243		NEW 2020	10,6	11,1	2 700
KOD30U-36HFN32 + module KMS-8243			10,6	11,1	2 700
KOE30U-48HFN32 + module KMS-8243			14,1	16,1	3 100
KOE30U-55HFN32 + module KMS-8243			15,8	18,2	3 400
<b>PORTABLE AIR CONDITIONERS</b>					
KPPH-09HRN29		NEW 2020	2,6	-	485
KPC-09AK29			2,6	-	500
KPPD-12HRN29			3,5	2,9	687
<b>AIR CURTAINS</b>					
Silver air curtain with heater – AG-100H6				365	
Silver air curtain with heater – AG-150H10				485	
Silver air curtain with heater – AG-200H14				750	
Silver air curtain without heater – AG-100CX				203	
Silver air curtain without heater – AG-150CX				282	
Silver air curtain without heater – AG-200CX				375	
Gold air curtain with heater – AU-100H3,5				360	
Gold air curtain with heater – AU-100H6				406	
Gold air curtain with heater – AU-120H8				447	
Gold air curtain with heater – AU-150H10				531	
Gold air curtain with heater – AU-200H14				735	
Gold air curtain without heater – AU-100CX				235	
Gold air curtain without heater – AU-150CX				328	
Gold air curtain without heater – AU-200CX				437	
Platinum New air curtain with heater – PTN-090H8				453	
Platinum New air curtain with heater – PTN-120H10				531	
Platinum New air curtain with heater – NEW PTN-150H12				656	
Platinum New air curtain without heater – PTN-090CX				280	
Platinum New air curtain without heater – PTN-120CX				312	
Platinum New air curtain without heater – PTN-150CX				375	

Purchase prices presented in the price list are net prices in PLN currency. The price list does not constitute an offer within the meaning of Article 66 of the Commercial Code.

VALID FROM 03.02.2020 UNTIL FURTHER NOTICE

MODEL		NET PRICE [EUR]
<b>HEAT PUMPS</b>		
Heat pump KHA-08RX1 – split – outdoor unit + KMK-80RX1	NEW 2020	5 940
Heat pump KHA-10RX1 – split – outdoor unit + KMK-80RX1	NEW 2020	6 590
Heat pump KHC-07RX1 – monoblok	NEW 2020	5 315
Heat pump KHC-09RX1 – monoblok	NEW 2020	5 625
Heat pump KHC-12RX3 – monoblok	NEW 2020	8 600
Heat pump KHC-14RX3 – monoblok	NEW 2020	8 900
Heat pump KHC-16RX3 – monoblok	NEW 2020	9 220
Heat pump KEH – KEH-08VER/I, KEH-08VER/O – split		5 625
Heat pump KEH – KEH-10VER/I, KEH-10VER/O – split		6 094
Heat pump KEH – KEH-12VER/I, KEH-12VER/O – split		7 062
Heat pump KEH – KEH-14VER/I, KEH-14VER/O – split		7 970
<b>HEAT PUMPS ACCESSORIES</b>		
Electric heater – EH HP	NEW 2020	1 600
Additional temperature sensor – HP T1	NEW 2020	60
3-way valve for switching between central heating and DHW – HP 3WV	NEW 2020	420
Mixing group – HP MXS	NEW 2020	1 500
<b>CONTROLLERS</b>		
RG66 – wireless	NEW 2020	140
RG57 – wireless		120
RG51 – wireless		105
YX1F – wireless		105
CCM03 – central		600
KJR12B – wired		125
KJR90A – wired		160
KJR120X2 – wired	NEW 2020	260
RCAC-1 – to air curtain Silver & Gold		60
RCAC-2 – to air curtain Platinum New		60
<b>ACCESSORIES</b>		
Sequential/switching AC controller SPN-IR – applies to all models of air conditioners (except ducts) and curtains		400
Sequential/switching AC controller TS4 – applies to all split and multi split models (except wall models)		390
Set of heaters with thermostat – heating function – applies to all split and multi split models		115
Set of heaters with thermostat – cooling function – applies to all split and multi split models		75
Connection kit for wired remote control ZPPP-FLY – applies to Fly air conditioners		50
Connection kit for wired remote control ZPPP-ONE – applies to One air conditioners	NEW 2020	130
AHU kit KMS-8140	NEW 2020	1 600
AHU kit KMS-8243		1 600
Wi-Fi module for wall-mounted units		100
Wi-Fi module for LCAC units	NEW 2020	120
<b>FILTERS</b>		
Filter with C vitamin		40
Filter with silver ions		40
3M filter		40

Purchase prices presented in the price list are net prices in EUR currency. | The price list does not constitute an offer within the meaning of Article 66 of the Commercial Code, and the photos of the products are only exemplary and serve to present selected models. | Products may in fact differ from those shown in the pictures. | Products are subject to continuous improvement, so Kaisai reserves the right to change prices and technical specifications without prior notice. | The existing price list is canceled.

# Contact data

for Consumers:

Are you interested in buying our products?  
Check the current list of Distributors at: <https://kaisai.com>

---

for Distributors and Installers:

## HEADQUARTERS

ul. Ostrobramska 101A  
04-041 Warszawa  
+48 22 465 65 85 | +48 22 879 99 07

## SALES DEPT.

+48 22 465 65 85  
[handlowy@kaisai.com](mailto:handlowy@kaisai.com)

**Do you want to become our Distributor? Call or write to us.**

---

Klima-Therm Group Academy:

### Gdańsk Division

ul. Budowlanych 48  
80-298 Gdańsk  
+48 58 768 03 33

### Warsaw Division

ul. Ostrobramska 101A  
04-041 Warszawa  
+48 22 517 36 00

### Katowice Division

ul. Chorzowska 108, Budynek B  
40-101 Katowice  
+48 32 209 49 26

**Would you like to obtain an authorization certificate and become our installer?**

Contact us: [handlowy@kaisai.com](mailto:handlowy@kaisai.com)



This publication is an informational and presentation document for Kaisai air conditioners, air curtains and heat pumps. [The technologically advanced production process makes it necessary to continuously monitor and improve it. This is why the information contained in the publication may be subject to change. | The net prices are the catalog prices of the products and do not include discounts or installation costs. | Technical data and prices in the catalog are subject to change. Up-to-date information is always available at [www.kaisai.com](http://www.kaisai.com)



**WE  
CARE  
ABOUT  
AIR**

THE PRICELIST IS VALID FROM 3RD FEBRUARY 2020 UNTIL FURTHER NOTICE

**kaisai.com**